

## Power Amplifier

WR-15/50-60GHz/36dB Gain/25dBm Psat

Model: TMPA-050060-3625-15

TMPA-050060-3625-15 is a power amplifier with a typical small signal gain of 36 dB and a nominal Psat of 25 dBm across the frequency range of 50 to 60 GHz. The DC power requirement for the amplifier is +12 VDC/500 mA. The input and output port configuration offers an inline structure with WR-15 waveguides and UG-385/U-M anticocking flanges.

### Features:

- Frequency range: 50-60GHz
- Gain: 36dB Typ
- Output Power Psat: 25dBm Typ
- Good Power and Gain Flatness

### Applications:

- Passive Imaging
- Communication Systems
- Radar Systems

### Electrical Characteristics:

Parameter	Min	Typ	Max	Units
Frequency range	50		60	GHz
Small Signal Gain		36		dB
Output Psat		25		dBm
Input VSWR		2		:1
Output VSWR		1.7		:1
DC Voltage		12		V DC
DC Supply Current		500		mA

### Mechanical Specifications:

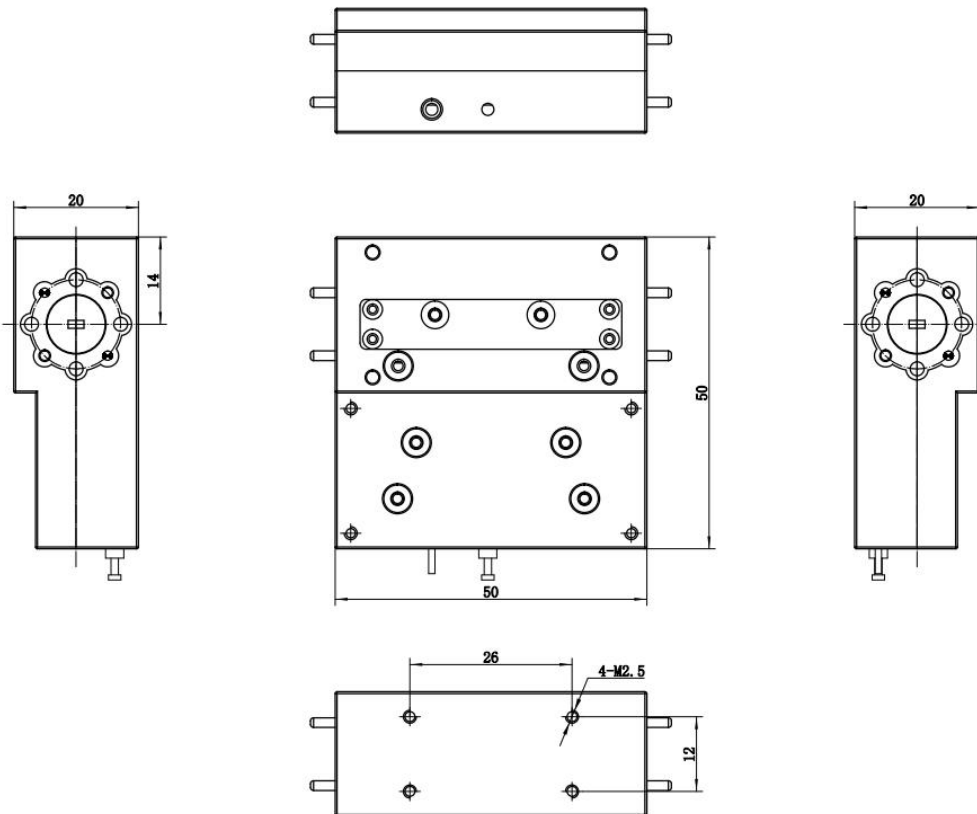
Parameter	Value	Units
Input /Output Connector	WR-15/UG-385/U	
DC Bias	Solder Pin	
Size	50*50*20	mm

### Absolute Maximum Ratings:

Parameter	Value
Supply Bias Voltage	+15 V
RF Input Power	+10 dBm
ESD sensitivity (HBm)	Class 0, passed 150V

### Outline Drawing:

Unit:mm; Tolerance:±0.1mm



**\*\*\*Heat Sink Required During Operation**



ESD Protection: Strictly adhere to ESD precautions to prevent electrostatic damage.

### Environmental Conditions:

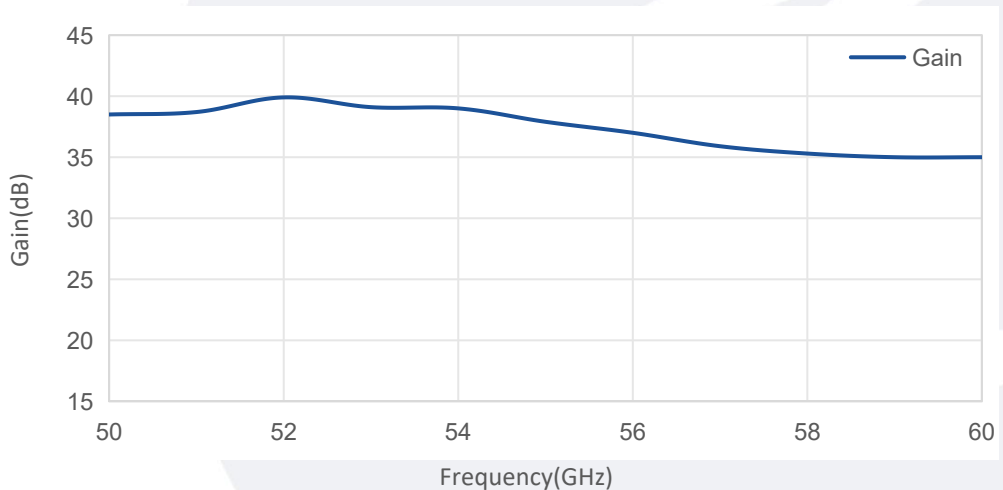
Parameter	Min	Typ	Max	Units
Operating Temperature	-10		+65	°C
Non-operating Temperature	-45		+85	°C
Relative humidity		95		%
Altitude	10,000			feet
Shock / Vibration(MIL-STD-810F)	25g rms (15 degree 2KHz) endurance, 1 hour per axis			
Shock(non operating)	20G for 11msc half sin wave,3 axis both directions			

### Ordering Information:

Base Number	Description	Revision
TMPA-050060-3625-15	Power Amplifier, 50-60GHz, Gain: 36dB Type, Psat: 25dBm Type, +12V DC,WR-15,Without heatsink	Rev.1.0
TMPA-050060-3625-15-HS	Power Amplifier, 50-60GHz, Gain: 36dB Type, Psat: 25dBm Type, +12V DC,WR-15,With heatsink	Rev.1.0

### Typical Performance Data:

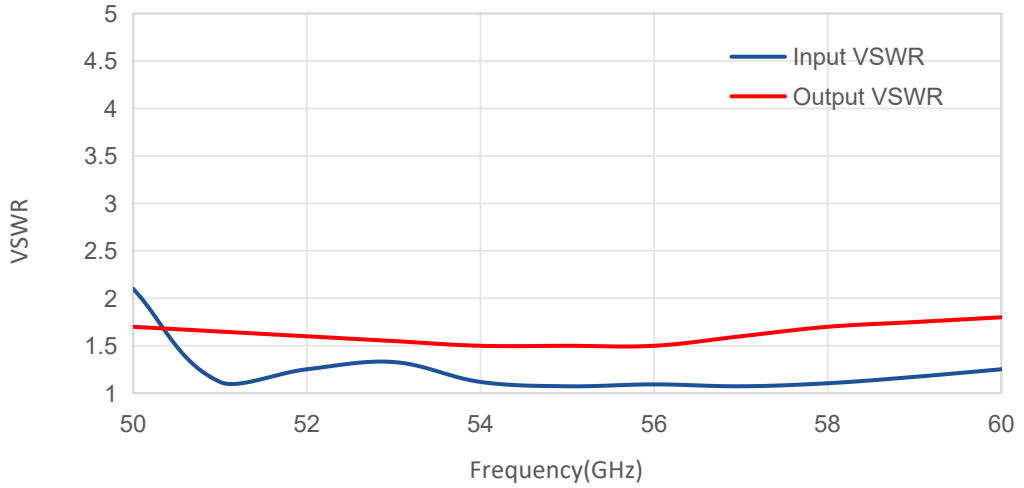
Gain vs Frequency



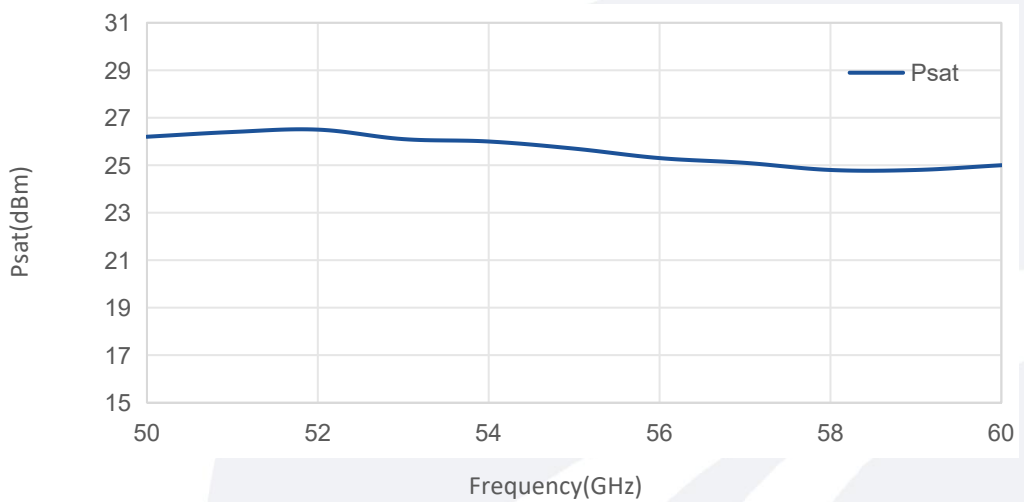
Note: Above data is for ref only, actual data may vary from unit to unit depending on operating environment and other factors like material lots etc.

**Typical Performance Data:**

**VSWR vs Frequency**



**Psat vs Frequency**



Note: Above data is for ref only, actual data may vary from unit to unit depending on operating environment and other factors like material lots etc.