

Waveguide to Coax Adapter, End Launch WR-6.5/0.8mm Female/110-170GHz

Model: TL-06WCA0.8E

The TL-06WCA0.8E is end launch waveguide to coax adapters that cover the frequency range of 110 to 170 GHz. It is designed for an efficient transition between the rectangular waveguide and 0.8 mm coax connector.

Features:

- Operating Frequency 110 to 170GHz
- Lower Insertion Loss and VSWR
- Instrumentation Grade
- DC Short Circuit

Applications:

- Test Lab
- Instrumentations
- Sub-assemblies

Electrical Characteristics:

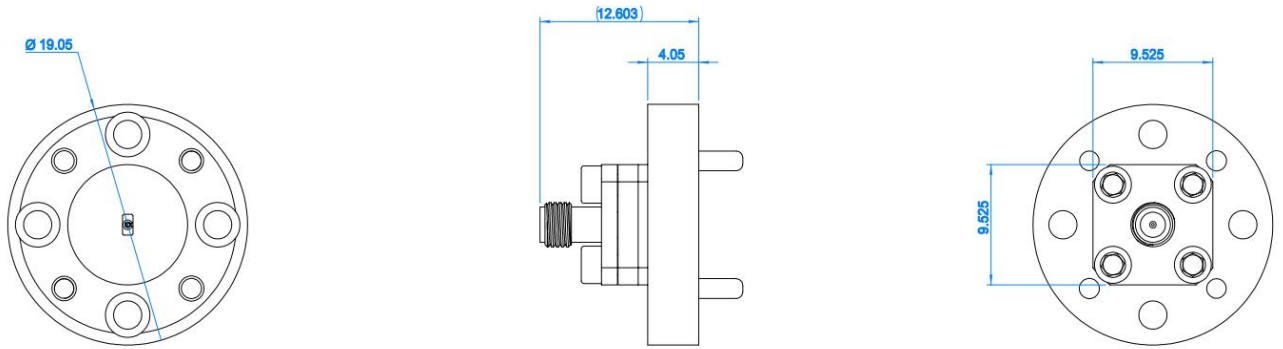

Parameter	Min	Typ	Max	Units
Frequency Range	110		170	GHz
Insertion Loss		1.4		dB
VSWR		1.6		:1
Power Handling			2	W

Environmental And Physical Characteristics:

Description	Parameter	Units
Material	Brass	
Finish	Gold Plated	
Coax Connector	0.8mm Female	
Waveguide	WR-6.5/UG-387/U-M	

Outline Drawing:

Unit:mm; Tolerance:±0.1mm

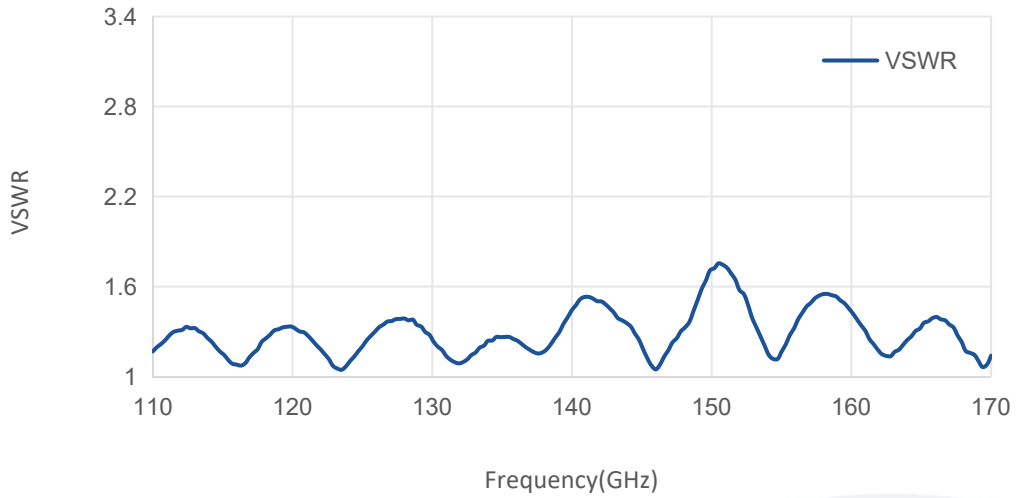
ESD Protection: Strictly adhere to ESD precautions to prevent electrostatic damage.

Ordering Information:

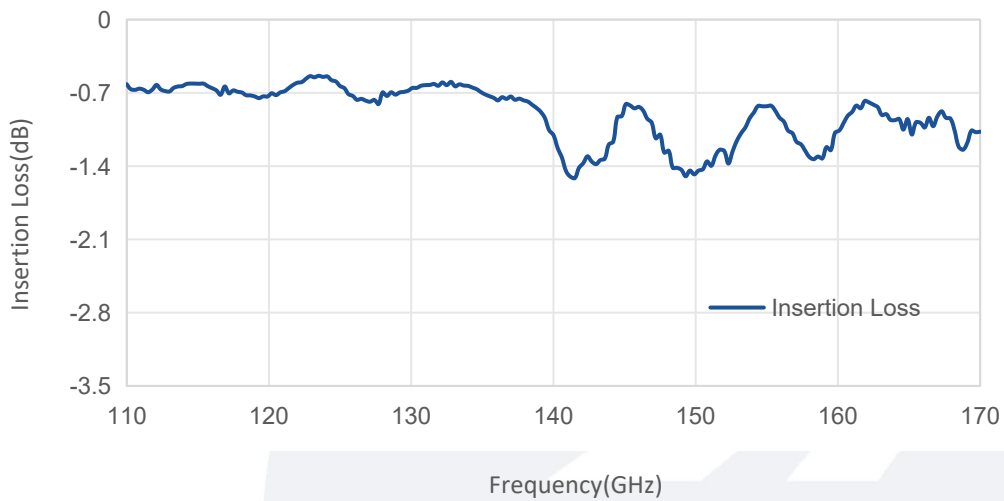
Base Number	Description	Revision
TL-06WCA0.8E	Waveguide to Coax Adapter, End Launch WR-6.5/0.8mm Female,110-170GHz	Rev.1.0

Typical Performance Data:

VSWR vs Frequency



Insertion Loss vs Frequency



Note: Above data is for ref only, actual data may vary from unit to unit depending on operating environment and other factors like material lots etc.