

Waveguide to Coax Adapter, End Launch

WR-6.5/0.8mm Female/110-170GHz

Model: TL-06WCA0.8E

The TL-06WCA0.8E is end launch waveguide to coax adapters that cover the frequency range of 110 to 170 GHz. It is designed for an efficient transition between the rectangular waveguide and 0.8 mm coax connector.

Features:

- Operating Frequency 110 to 170GHz
- Lower Insertion Loss and VSWR
- Instrumentation Grade
- DC Short Circuit

Applications:

- Test Lab
- Instrumentations
- Sub-assemblies

电气特性 Electrical Characteristics:

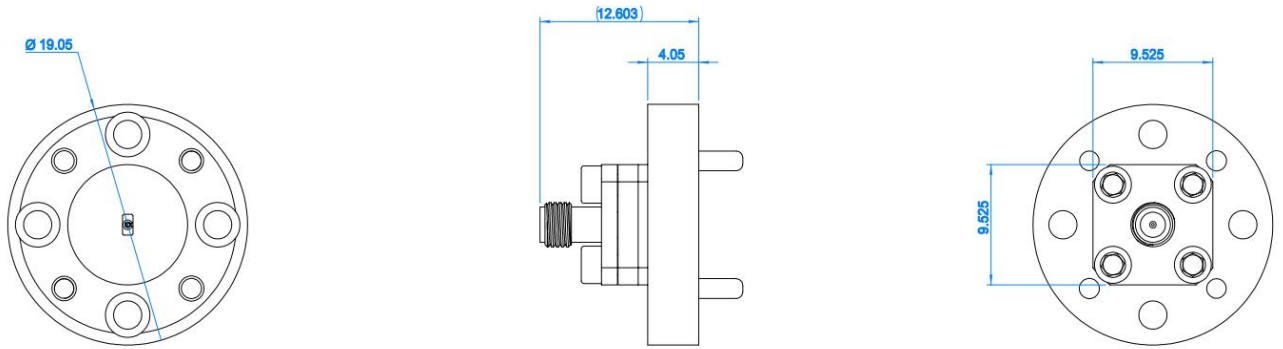
参数 Parameter	Min	Typ	Max	单位 Units
频率范围 Frequency Range	110		170	GHz
插损 Insertion Loss		1.4		dB
驻波 VSWR		1.6		:1
耐功率 Power Handling			2	W

环境和机械特性 Environmental And Physical Characteristics:

类型 Description	参数 Parameter	单位 Units
材质 Material	Brass	
表面处理 Finish	Gold Plated	
同轴接口 Coax Connector	0.8mm Female	
波导 Waveguide	WR-6.5/UG-387/U-M	

外形图 Outline Drawing:

Unit:mm; Tolerance:±0.1mm



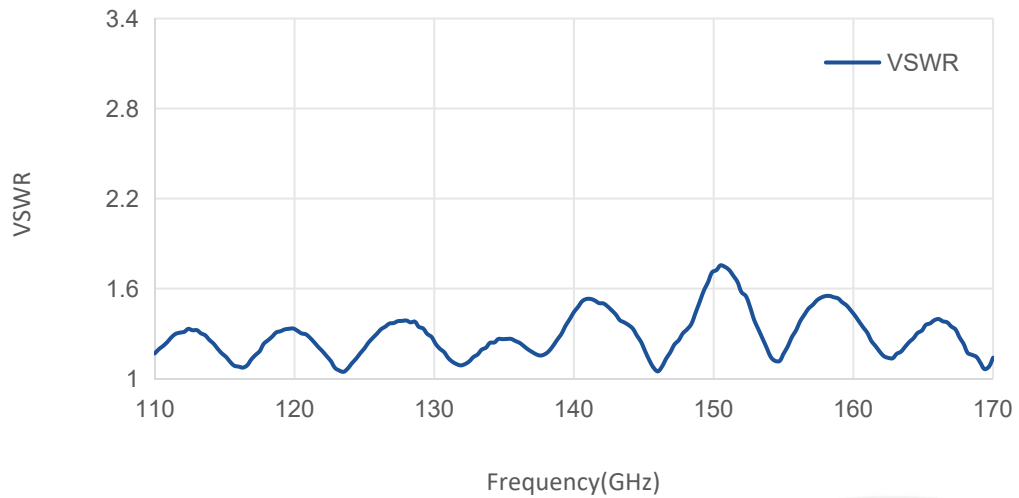
ESD Protection: Strictly adhere to ESD precautions to prevent electrostatic damage.

订货信息 Ordering Information:

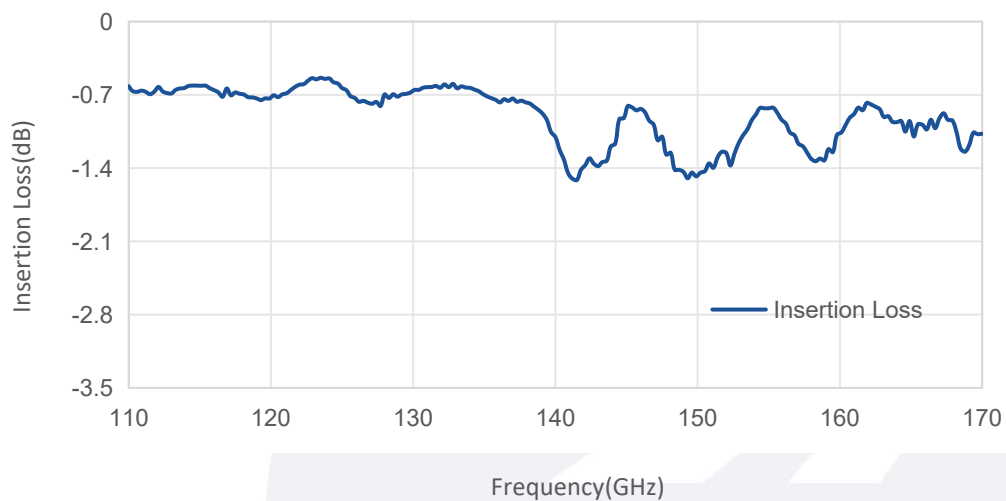
标准型号 Base Number	描述 Description	版本号 Revision
TL-06WCA0.8E	Waveguide to Coax Adapter, End Launch WR-6.5/0.8mm Female,110-170GHz	Rev.1.0

典型曲线 Typical Performance Data:

VSWR vs Frequency



Insertion Loss vs Frequency



Note: Above data is for ref only, actual data may vary from unit to unit depending on operating environment and other factors like material lots etc.