

## Flexible Waveguide Cable

**WR-6.5/110-150GHz**

**Model: FW-WR06WR06-0.2m**

FW-WR06WR06-0.2m is a flexible waveguide cable that covers the frequency range of 110 to 150 GHz. The flexible waveguide cable includes two WR-6.5 waveguide ports with UG-387/U-M anti-cocking flange.

### Features:

- Operating Frequency 110 to 150GHz
- VSWR: 1.9:1 Typ
- Insertion loss: 6dB Typ
- Low cost
- Fast delivery time

### Applications:

- Test Lab
- Instrumentations
- System setups

### 电气特性 Electrical Characteristics:

参数 Parameter	Min	Typ	Max	单位 Units
频率范围 Frequency Range	110		150	GHz
驻波 VSWR		1.9		:1
插损 Insertion Loss		6		dB
耐功率 Power Handling		4 CW		W

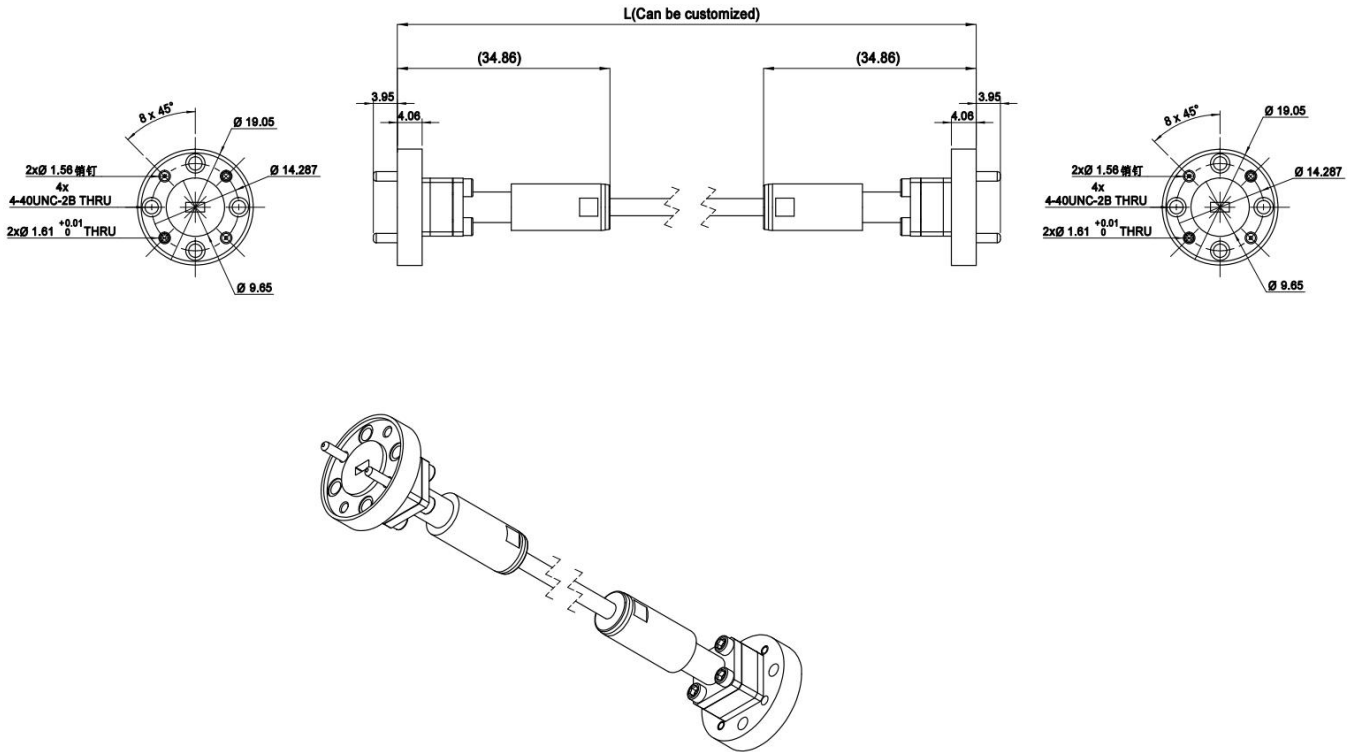
### 环境和机械特性 Environmental And Physical Characteristics:

类型 Description	参数 Parameter	单位 Units
操作温度 Operating Temperature	+25	°C
存储温度 Non-operating Temperature	-55~+165	°C
最小弯曲半径 Minimum Bending Radius	25	mm
波导接口 Waveguide Connector	WR-6.5/UG-387/U	
长度 Length*	0.2	m

\*Note:Length can be customized.

外形图 Outline Drawing:

Unit:mm



ESD Protection: Strictly adhere to ESD precautions to prevent electrostatic damage.

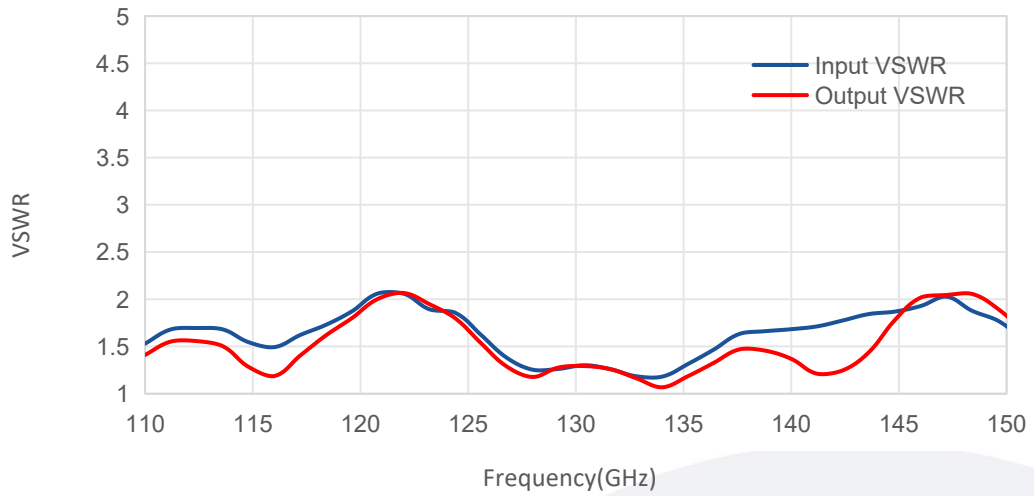
订货信息 Ordering Information:

标准型号 Base Number	描述 Description
FW-WR06WR06-0.2m	Flexible Waveguide Cable, 110-150GHz, WR-6.5, Length can be customized

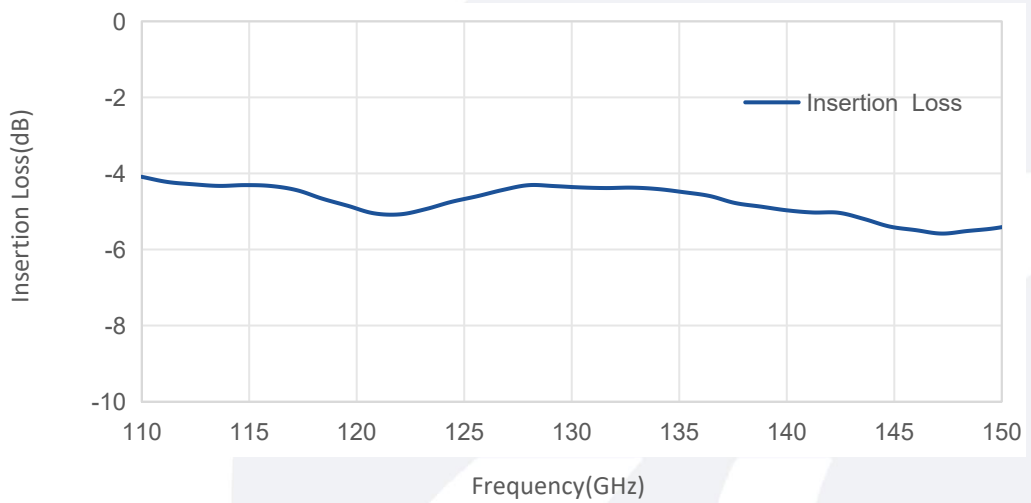
**典型曲线 Typical Performance Data:**

**Length=0.2m:**

**VSWR vs Frequency**



**Insertion Loss vs Frequency**



Note: Above data is for ref only, actual data may vary from unit to unit depending on operating environment and other factors like material lots etc.