

## Power Amplifier

WR-10/70-110GHz/17dB Gain/21dBm Psat

Model: TMPA-070110-1720-10

TMPA-070110-1720-10 is a power amplifier with a typical small signal gain of 17 dB and a nominal Psat of 21 dBm across the frequency range of 70 to 110 GHz. The DC power requirement for the amplifier is +12 VDC/400 mA. The input and output port configuration offers an inline structure with WR-10 waveguides and UG-387/U-M antickocking flanges.

### Features:

- Frequency range: 70-110GHz
- Gain: 17dB Typ
- Output Power Psat: 21dBm Typ
- Good Power and Gain Flatness

### Applications:

- Passive Imaging
- Communication Systems
- Radar Systems

### Electrical Characteristics:

Parameter	Min	Typ	Max	Units
Frequency range	70		110	GHz
Small Signal Gain		17		dB
Output P1dB		16		dBm
Output Psat		21		dBm
Input VSWR		2		:1
Output VSWR		1.5		:1
DC Voltage		12		V DC
DC Supply Current		400		mA

### Mechanical Specifications:

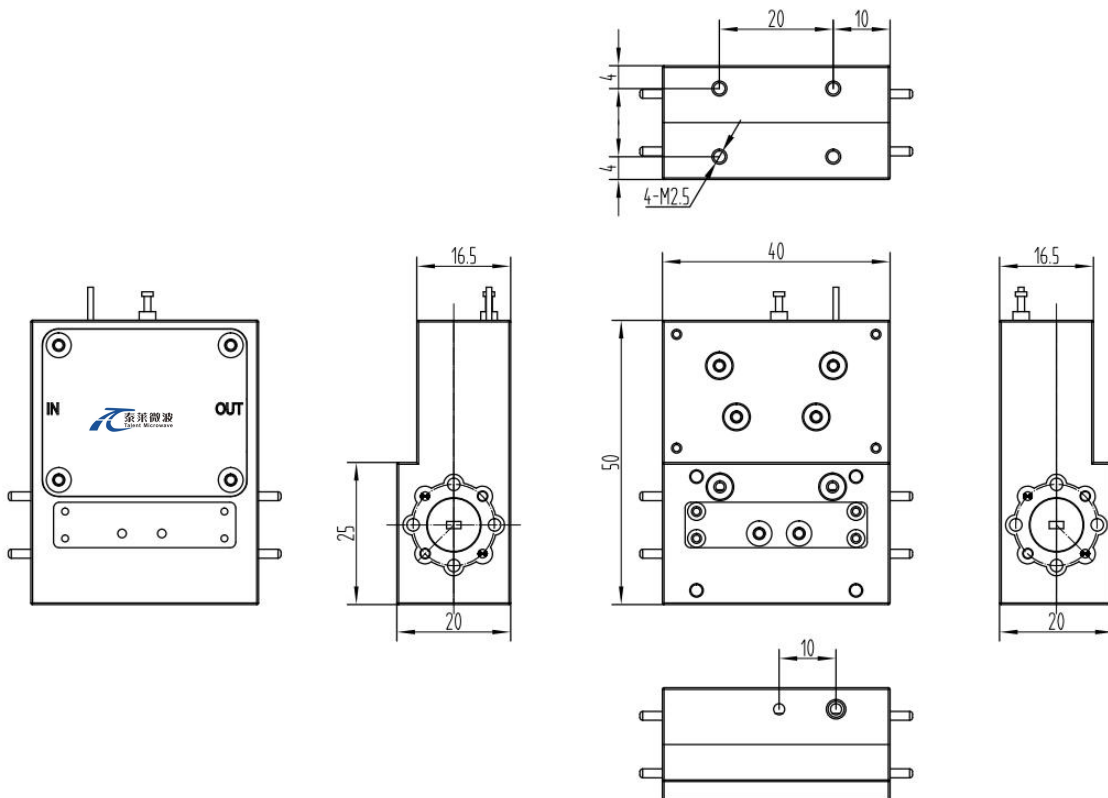
Parameter	Value	Units
Input /Output Connector	WR-10/UG-387/U	
DC Bias	Solder Pin	
Size	40*50*20	mm

### Absolute Maximum Ratings:

Parameter	Value
Supply Bias Voltage	+15 V
RF Input Power	+20 dBm
ESD sensitivity (HBm)	Class 0, passed 150V

### Outline Drawing:

Unit:mm; Tolerance:±0.1mm



ESD Protection: Strictly adhere to ESD precautions to prevent electrostatic damage.

### Environmental Conditions:

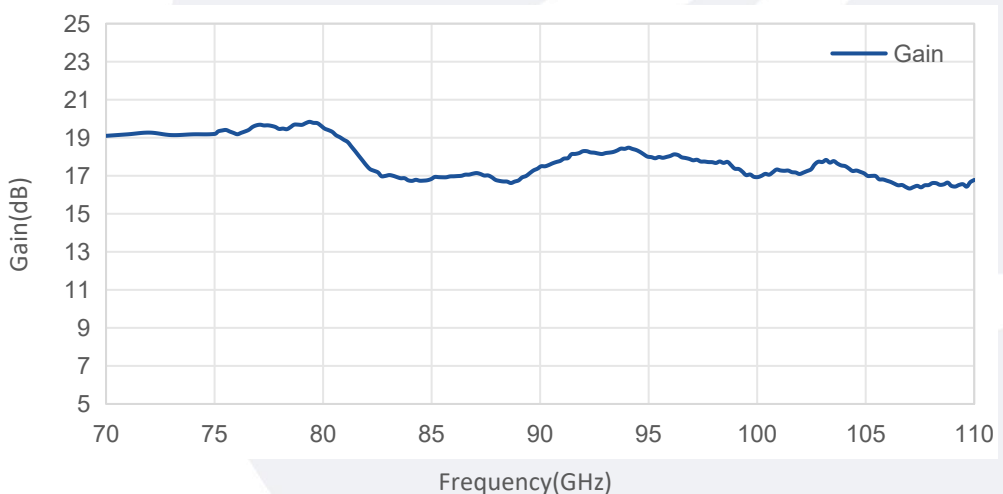
Parameter	Min	Typ	Max	单位 Units
Operating Temperature	-10		+65	°C
Non-operating Temperature	-45		+85	°C
Relative humidity		95		%
Altitude	10,000			feet
Shock / Vibration(MIL-STD-810F)	25g rms (15 degree 2KHz) endurance, 1 hour per axis			
Shock(non operating)	20G for 11msc half sin wave,3 axis both directions			

### Ordering Information:

Base Number	Description	Revision
TMPA-070110-1720-10	Power Amplifier, 70-110GHz, Gain: 17dB Type, P <sub>sat</sub> : 21dBm Type, +12V DC,WR-10	Rev.1.1

### Typical Performance Data:

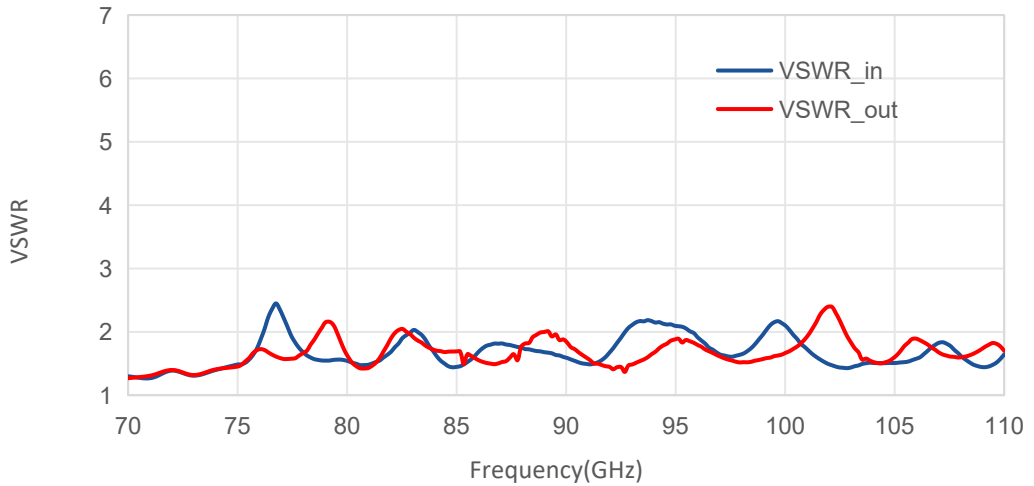
Gain vs Frequency



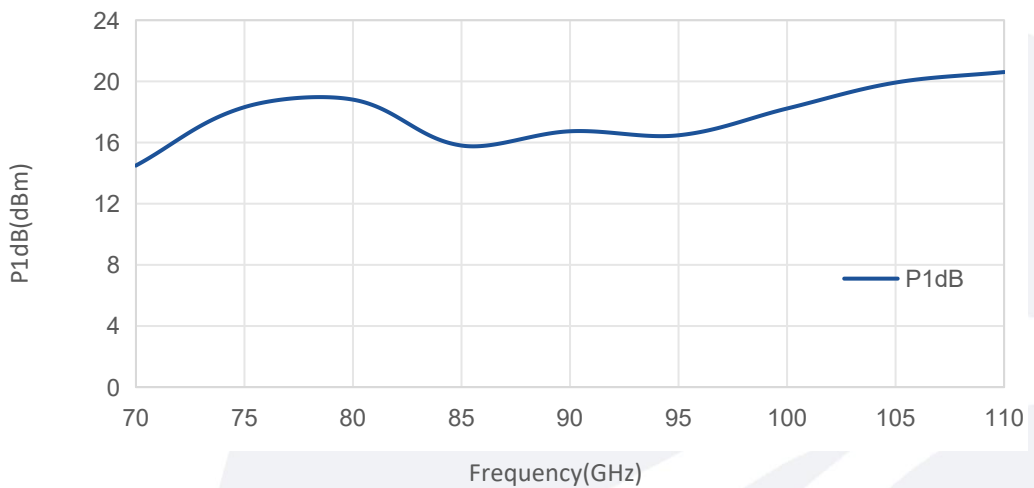
Note: Above data is for ref only, actual data may vary from unit to unit depending on operating environment and other factors like material lots etc.

**Typical Performance Data:**

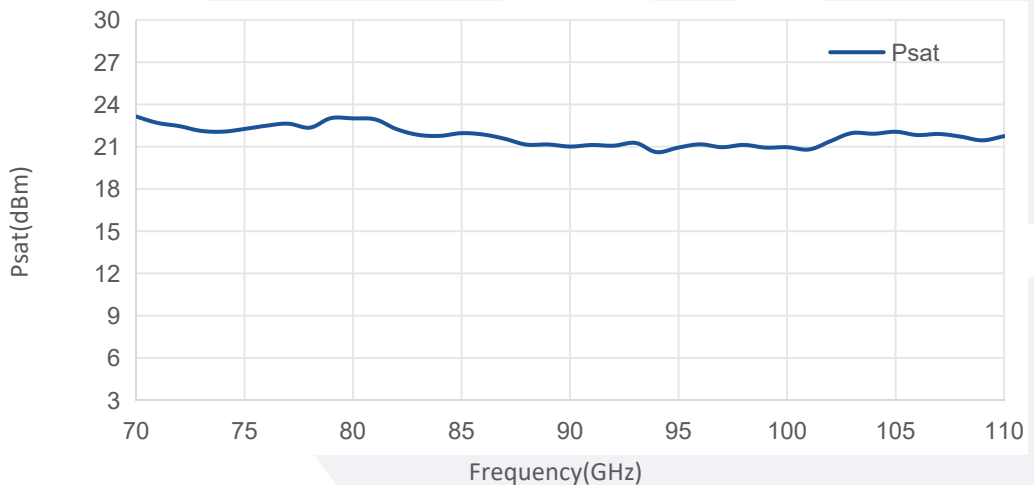
**VSWR vs Frequency**



**P1dB vs Frequency**



**Psat vs Frequency**



Note: Above data is for ref only, actual data may vary from unit to unit depending on operating environment and other factors like material lots etc.