

## Coaxial Band-pass Filter

### 4.25-4.55 GHz/SMA Female/SMA Male

**Model: TLBF-4G4-300M-E**

TLBF-4G4-300M-E is a coaxial band-pass filter with a passband frequency from 4.25 to 4.55 GHz and a rejection frequencies @ $\leq 3.25$  GHz and  $\geq 5.55$  GHz. The maximum insertion loss of the filter is 1.2 dB and the typical rejection is 70 dB.

#### Features:

- Passband Frequency Range 4.25 to 4.55 GHz
- Low Insertion Loss
- High Rejection
- Steep Rejection Skirts
- Field Replaceable RF Connectors

#### Applications:

- Instrumentations
- Radar Systems
- System Integrations

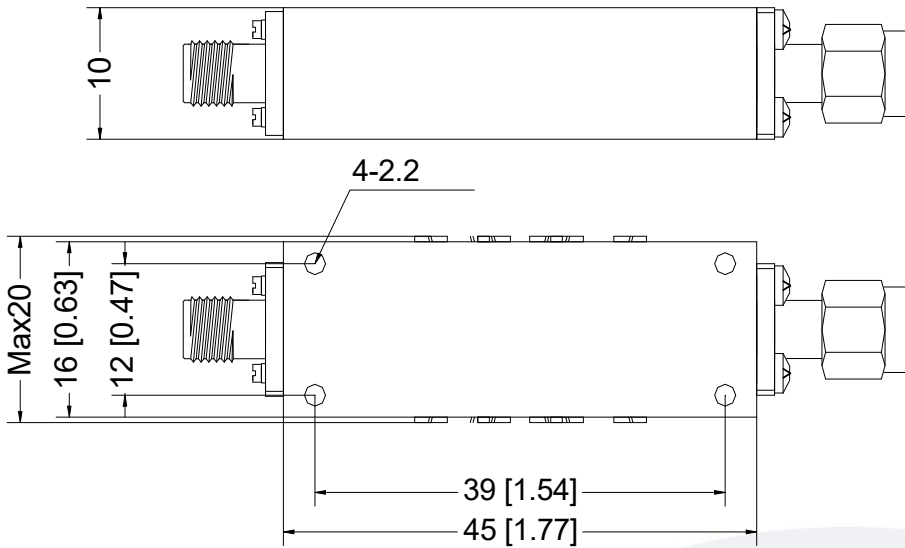
#### Electrical Characteristics:

| Parameter                | Min                 | Typ | Max  | Units |
|--------------------------|---------------------|-----|------|-------|
| Passband Frequency range | 4.25                |     | 4.55 | GHz   |
| Band Width               |                     |     | 0.3  | GHz   |
| Passband Insertion Loss  |                     |     | 1.2  | dB    |
| Pass Band Ripple         | 0.4                 |     |      | dB    |
| Group Delay Flatness     | 1.3                 |     |      | NS    |
| Rejection                | >70dB@fo $\pm$ 1GHz |     |      | dB    |
| Power Handling           |                     |     | 15   | W     |
| VSWR                     |                     |     | 1.3  | :1    |
| Impedance                | 50                  |     |      | Ohms  |

#### Environmental And Physical Characteristics:

| Description           | Parameter           | Units |
|-----------------------|---------------------|-------|
| Operating Temperature | -40 To +70          | °C    |
| Connectors            | SMA Female/SMA Male |       |
| Weight                | /                   | g     |

**Outline Drawing:** Unit:mm; Tolerance±0.1mm



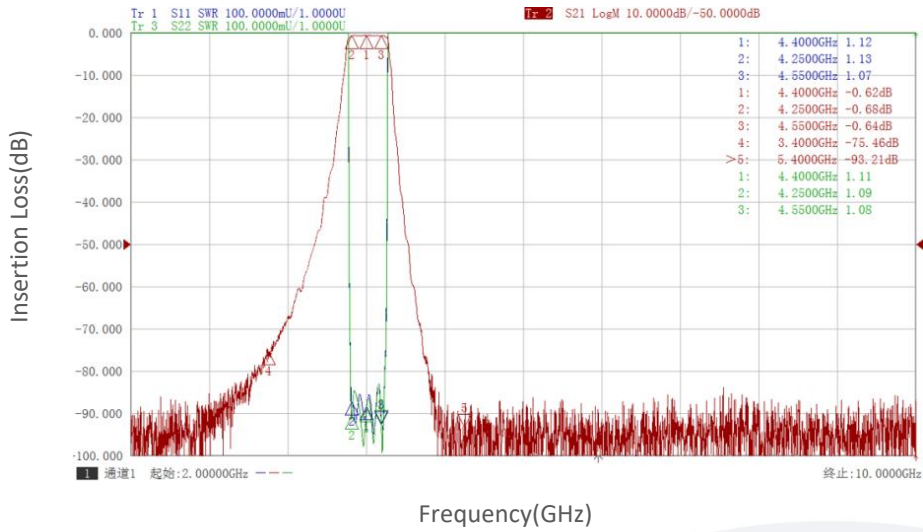
ESD Protection: Strictly adhere to ESD precautions to prevent electrostatic damage.

### Ordering Information:

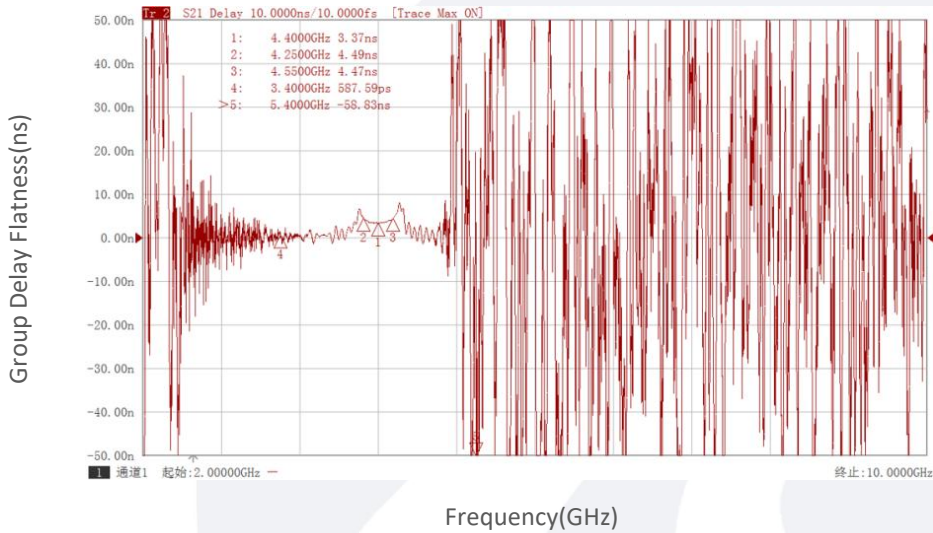
| Base Number     | Description   | Revision |
|-----------------|---|----------|
| TLBF-4G4-300M-E | Coaxial Band-pass Filter, Passband frequency range: 4.25-4.55GHz, Passband Insertion Loss: 1.2dB, SMA Female/SMA Male | Rev.1.0  |

**Typical Performance Data:**

**Insertion Loss vs Frequency**



**Group Delay Flatness vs Frequency**



Note: Above data is for ref only, actual data may vary from unit to unit depending on operating environment and other factors like material lots etc.