

## Coaxial Fixed Attenuator

### 2.92mm Female/DC-40GHz

Model:TAXXA2-2.92-40-F

TAXXA2-2.92-40-F is a 1~10/20/30 dB coaxial attenuator that is used in millimeterwave systems and operates from DC to 40 GHz.

#### Features:

- Operating Frequency DC to 40GHz
- Broadband Coverage
- Lost Cost

#### Applications:

- Test Lab
- Instrumentations
- System Integration

#### Electrical Characteristics:

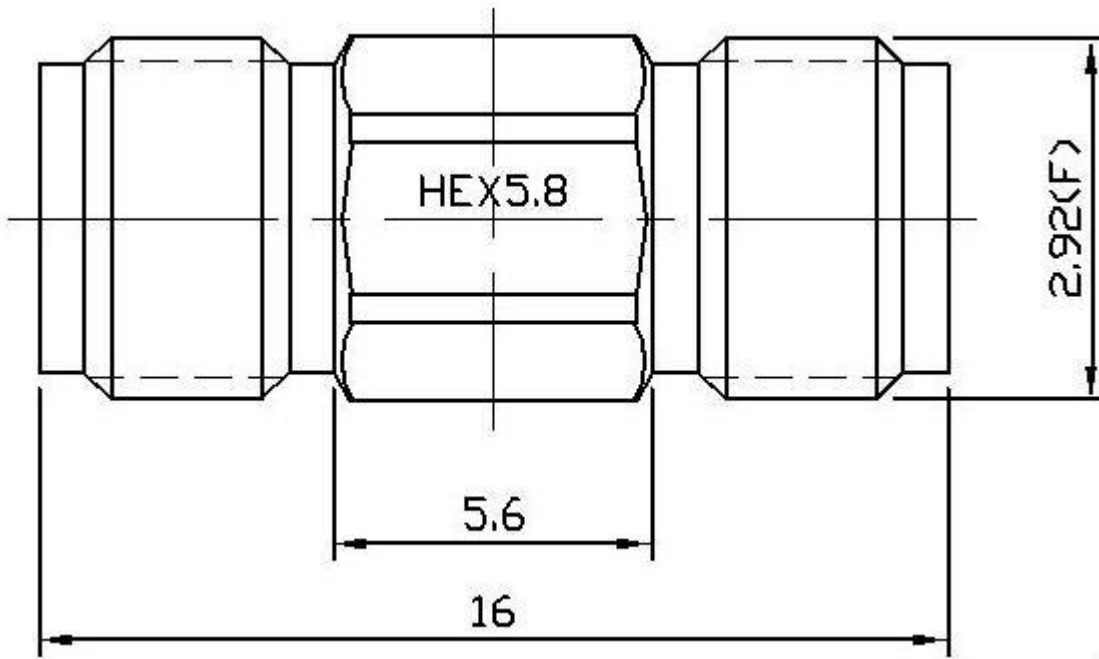
Parameter	Min	Typ	Max	Units
Frequency Range	DC		40	GHz
Attenuation Range		1~10 ±0.7		dB
		20 ±0.8		dB
		30 ±0.8		dB
VSWR			1.3	:1
Impedance		50		Ohms
RF Power Rating	2Watts Average at 25°C PEAK: 125 Watts(5 μs pulse width, 1% duty cycle)			

#### Environmental And Physical Characteristics:

Description	Parameter	Units
Operating Temperature	-55 To +125	°C
Body Material	Passivated stainless steel	
Connector Material	Passivated stainless steel	
Inner Conductor	Gold plated beryllium copper	
Insulators	PTFE, Virgin Electrical Grade	
Connectors	2.92mm Female	
Length	16	mm

Outline Drawing:

Unit:mm



ESD Protection: Strictly adhere to ESD precautions to prevent electrostatic damage.

### Ordering Information:

Base Number	Description
TA01A2-2.92-40-F	Coaxial Fixed Attenuator, DC-40GHz, $1 \pm 0.7$ dB Attenuation
TA02A2-2.92-40-F	Coaxial Fixed Attenuator, DC-40GHz, $2 \pm 0.7$ dB Attenuation
TA03A2-2.92-40-F	Coaxial Fixed Attenuator, DC-40GHz, $3 \pm 0.7$ dB Attenuation
TA04A2-2.92-40-F	Coaxial Fixed Attenuator, DC-40GHz, $4 \pm 0.7$ dB Attenuation
TA05A2-2.92-40-F	Coaxial Fixed Attenuator, DC-40GHz, $5 \pm 0.7$ dB Attenuation

## Ordering Information:

Base Number	Description
TA06A2-2.92-40-F	Coaxial Fixed Attenuator, DC-40GHz,6±0.7dB Attenuation
TA07A2-2.92-40-F	Coaxial Fixed Attenuator, DC-40GHz,7±0.7dB Attenuation
TA08A2-2.92-40-F	Coaxial Fixed Attenuator, DC-40GHz,8±0.7dB Attenuation
TA09A2-2.92-40-F	Coaxial Fixed Attenuator, DC-40GHz,9±0.7dB Attenuation
TA10A2-2.92-40-F	Coaxial Fixed Attenuator, DC-40GHz,10±0.7dB Attenuation
TA20A2-2.92-40-F	Coaxial Fixed Attenuator, DC-40GHz,20±0.8dB Attenuation
TA30A2-2.92-40-F	Coaxial Fixed Attenuator, DC-40GHz,30±0.8dB Attenuation