

Waveguide to Coax Adapter, Right Angle WR42/2.92mm Female/26-40GHz

Model: TL-42WCAKR-CU

The TL-42WCAKR-CU is right angle waveguide to coax adapters that cover the frequency range of 18 to 26.5GHz. It is designed for an efficient transition between the rectangular waveguide and 2.92 mm coax connector.

Features:

- Operating Frequency 18 to 26.5GHz
- Lower Insertion Loss and VSWR
- Instrumentation Grade
- DC Short Circuit

Applications:

- Test Lab
- Instrumentations
- Sub-assemblies

Electrical Characteristics:

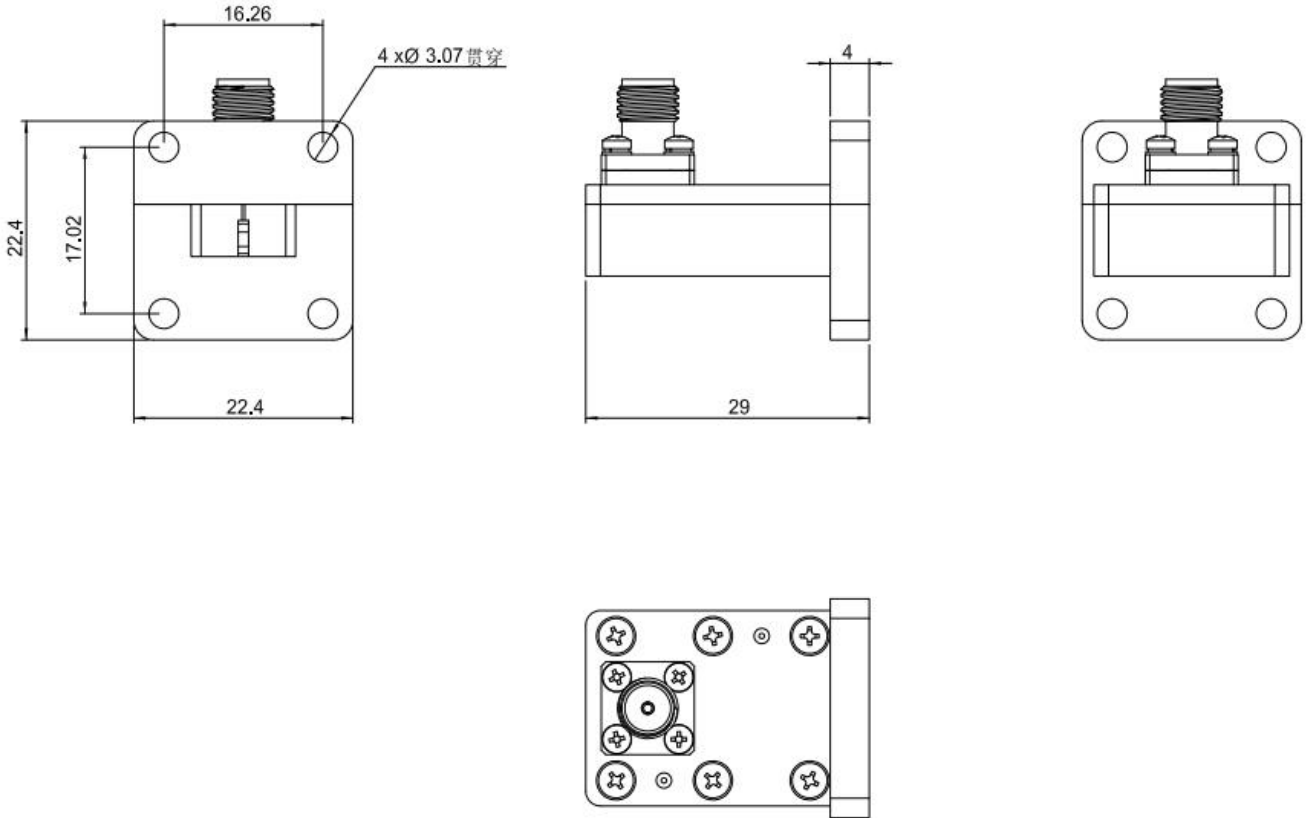

Parameter	Min	Typ	Max	Units
Frequency Range	18		26.5	GHz
Insertion Loss		0.3		dB
VSWR		1.3		:1

Environmental And Physical Characteristics:

Description	Parameter	Units
Material	Copper	
Finish	Gold Plated	
Coax Connector	2.92mm Female	
Waveguide	WR42	

Outline Drawing:

Unit:mm

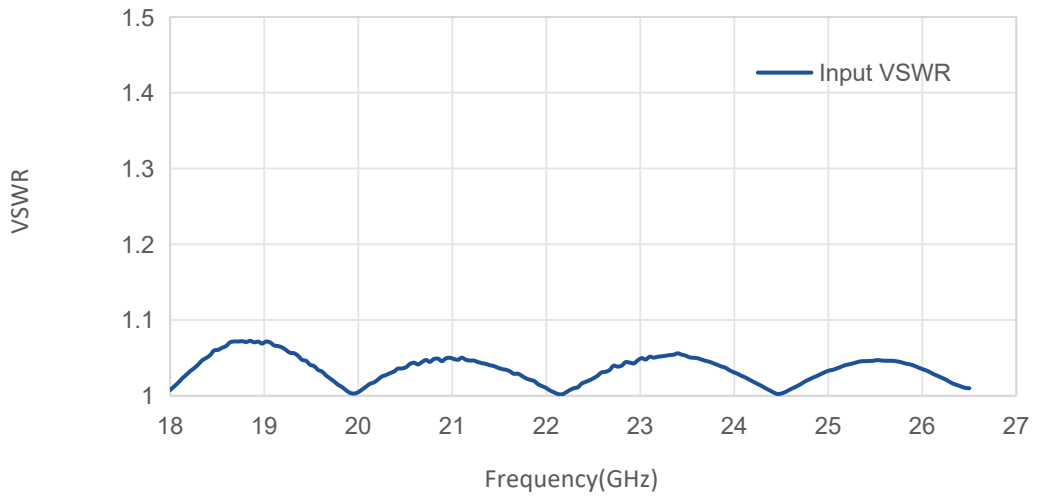
ESD Protection: Strictly adhere to ESD precautions to prevent electrostatic damage.

Ordering Information:

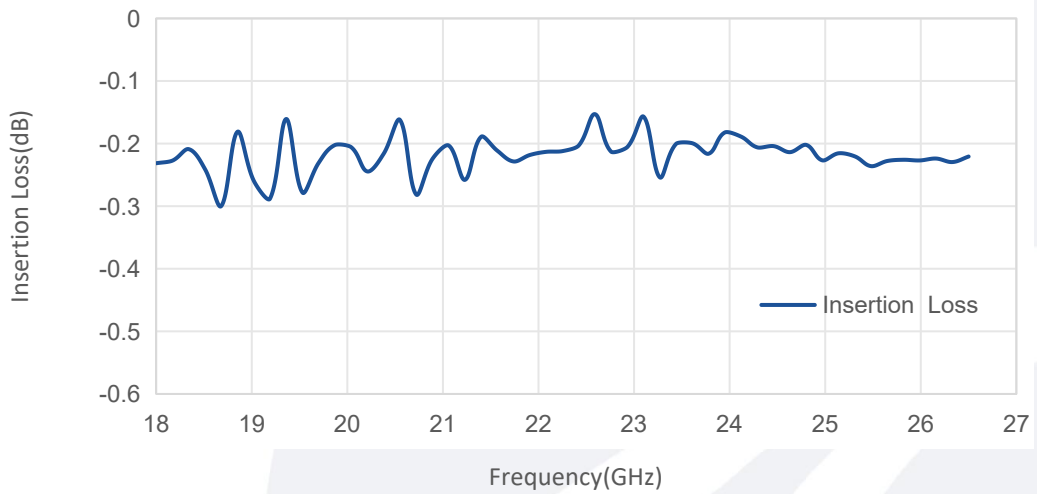
Base Number	Description	Revision
TL-42WCAKR-CU	Waveguide to Coax Adapter, Right Angle WR42/2.92mm Female,18-26.5GHz	Rev.1.0

Typical Performance Data:

VSWR vs Frequency



Insertion Loss vs Frequency



Note: Above data is for ref only, actual data may vary from unit to unit depending on operating environment and other factors like material lots etc.