

Dual Polarized Horn Antenna

2.92mm Female/26.5-40GHz/15dBi Min, Gain

Model:TL-28DPHA15K

TL-28DPHA15K is a dual polarized horn antenna that operates from 26.5 to 40GHz, The antenna offers 15dBi minimum gain. The antenna VSWR is 2:1 maximum. The antenna RF port is 2.92mm female coax adapter structure. It can be widely used in EMI detection, orientation, reconnaissance, antenna gain and pattern measurement and other application fields.

Features:

- Operating Frequency 26.5 to 40GHz
- Gain: 15dBi Min
- Dual Linear Polarization

Applications:

- Radar Systems
- Communication Systems

Electrical Characteristics:

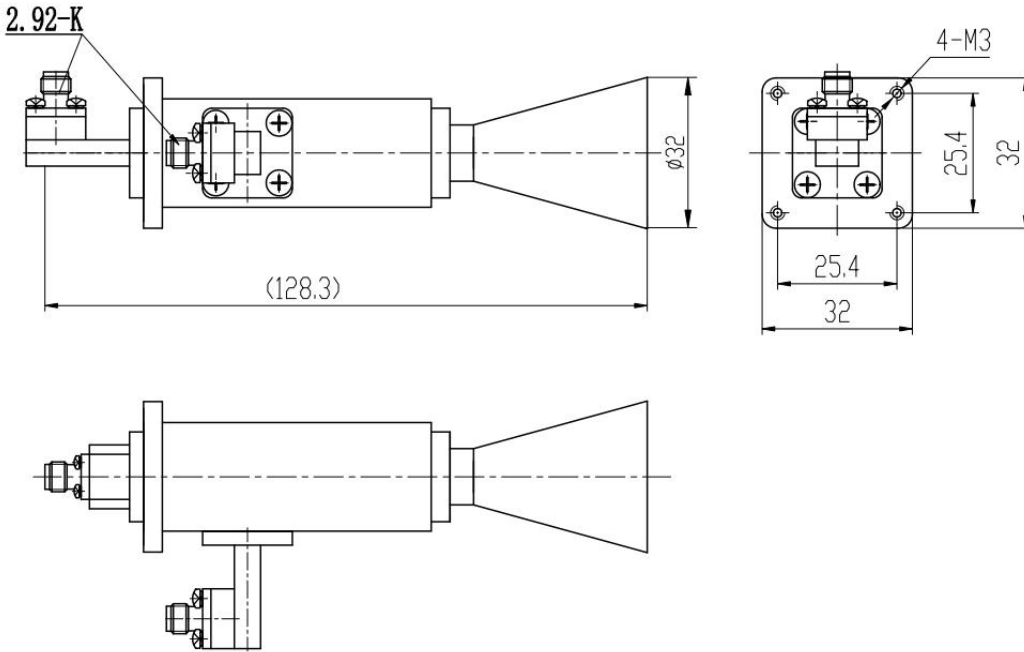

Parameter	Min	Typ	Max	Units
Frequency Range	26.5		40	GHz
Gain		15		dBi
Polarization mode	Dual Linear			
Input VSWR			2	:1
Power Handling		20		W

Physical Characteristics:

Description	Parameter	Units
Material	Copper	
Finish	Silver plated, spray sea grey paint	
RF Connectors	2.92mm Female	
Size	128*32*32	mm

Outline Drawing:

Unit:mm

ESD Protection: Strictly adhere to ESD precautions to prevent electrostatic damage.

Ordering Information:

Base Number	Description	Revision
TL-28DPHA15K	Dual Polarized Horn Antenna, 26.5-40GHz, Gain: 15dBi Min, 2.92mm	Rev.1.0