

Dual Polarized Horn Antenna

2.92mm Female/26.5-40GHz/15dBi Min, Gain

Model:TL-28DPHA15K

TL-28DPHA15K is a dual polarized horn antenna that operates from 26.5 to 40GHz, The antenna offers 15dBi minimum gain. The antenna VSWR is 2:1 maximum. The antenna RF port is 2.92mm female coax adapter structure. It can be widely used in EMI detection, orientation, reconnaissance, antenna gain and pattern measurement and other application fields.

Features:

- Operating Frequency 26.5 to 40GHz
- Gain: 15dBi Min
- Dual Linear Polarization

Applications:

- Radar Systems
- Communication Systems

电气特性 Electrical Characteristics:

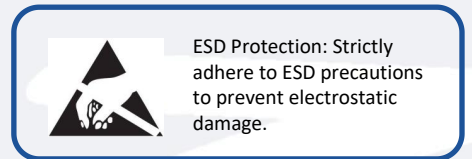
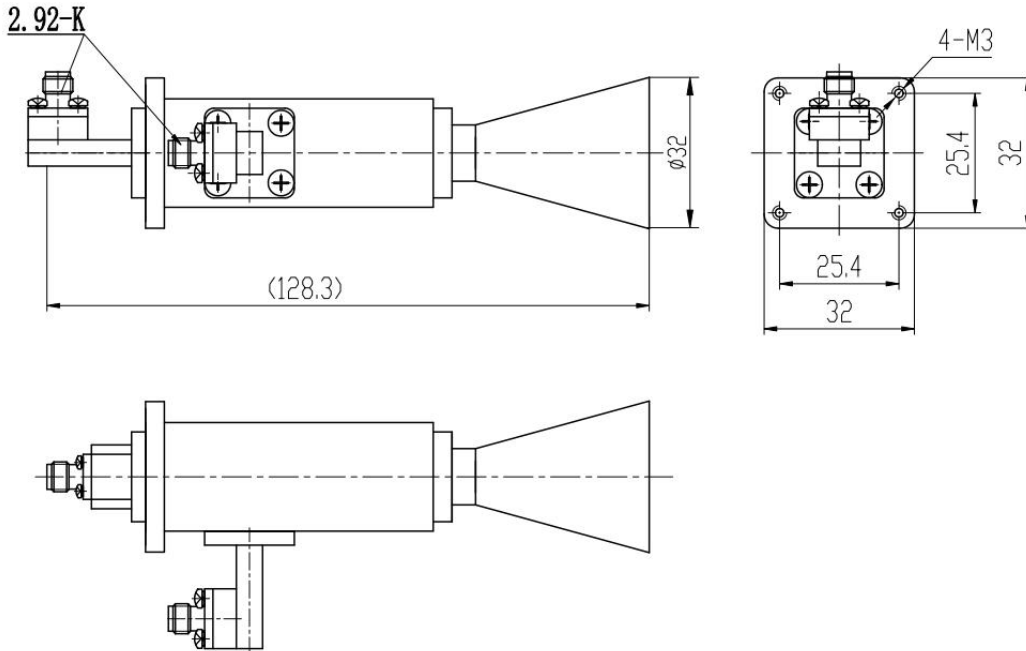
参数 Parameter	Min	Typ	Max	单位 Units
频率范围 Frequency Range	26.5		40	GHz
增益 Gain		15		dBi
极化方式 Polarization mode	Dual Linear			
驻波 Input VSWR			2	:1
耐功率 Power Handling		20		W

机械特性 Physical Characteristics:

类型 Description	参数 Parameter	单位 Units
材质 Material	Copper	
表面处理 Finish	Silver plated, spray sea grey paint	
RF接口 RF Connectors	2.92mm Female	
尺寸 Size	128*32*32	mm

外形图 Outline Drawing:

Unit:mm



订货信息 Ordering Information:

标准型号 Base Number	描述 Description	版本号 Revision
TL-28DPHA15K	Dual Polarized Horn Antenna, 26.5-40GHz, Gain: 15dBi Min, 2.92mm	Rev.1.0