

Dual Polarized Horn Antenna

1.85mm Female/30-50GHz/25 dBi, Gain

Model:TL-22DHPA25V

TL-22DHPA25V is a dual polarized horn antenna that operates from 30 to 50GHz, The antenna offers 25 dBi typical gain. The antenna VSWR is 1.6:1 maximum. The antenna RF ports is 1.85mm female. It can be widely used in EMI detection, orientation, reconnaissance, antenna gain and pattern measurement and other application fields.

Features:

- Operating Frequency 30 to 50 GHz
- Gain: 25 dBi Typ
- Dual Linear Polarization

Applications:

- Radar Systems
- Communication Systems

电气特性 Electrical Characteristics:

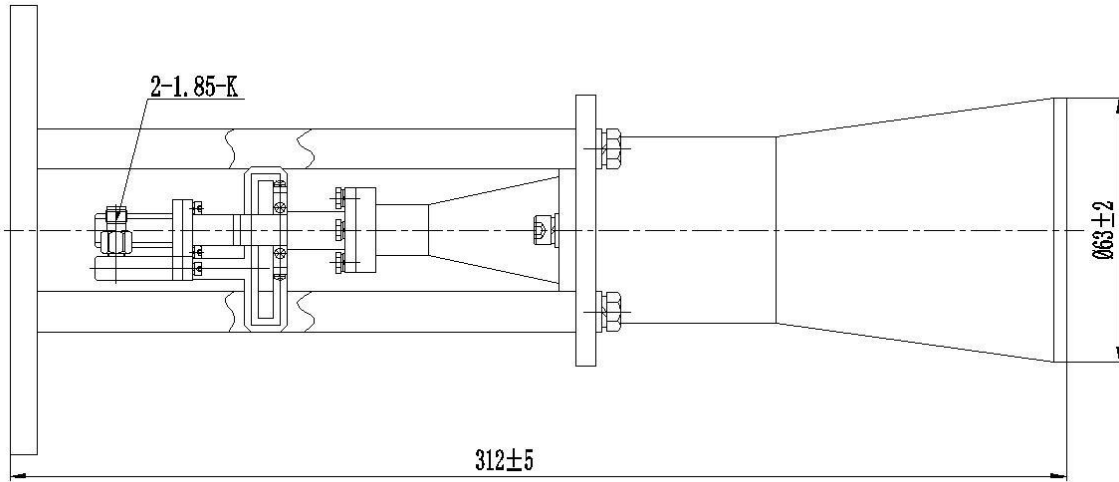
| 参数 Parameter | Min | Typ | Max | 单位 Units |
|------------------------|-------------|-----|-----|----------|
| 频率范围 Frequency Range | 30 | | 50 | GHz |
| 增益 Gain | | 25 | | dBi |
| 极化方式 Polarization mode | Dual Linear | | | |
| 驻波 Input VSWR | | | 1.6 | :1 |

机械特性 Physical Characteristics:

| 类型 Description | 参数 Parameter | 单位 Units |
|----------------|---------------|----------|
| 材质 Material | Copper | |
| 表面处理 Finish | Silver plated | |
| 接口 Connectors | 1.85mm Female | |
| 尺寸 Size | ø120*312 | mm |

外形图 Outline Drawing:

Unit:mm



ESD Protection: Strictly adhere to ESD precautions to prevent electrostatic damage.

订货信息 Ordering Information:

| 标准型号 Base Number | 描述 Description | 版本号 Revision |
|------------------|---|--------------|
| TL-22DHPA25V | Dual Polarized Horn Antenna, 30-50GHz, Gain: 25 dBi, 1.85mm Female | Rev.1.1 |