

Waveguide to Coax Adapter, Right Angle

WR-15/1.0mm Female/ 50-75GHz

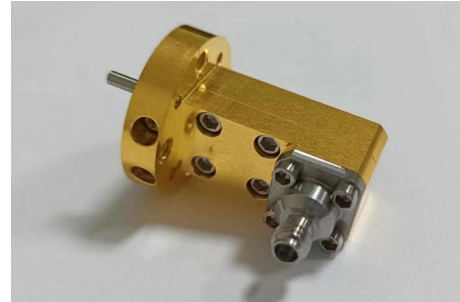
Model: TL-15WCA1.0R

Features:

- Operating Frequency 50 to 75GHz
- Lower Insertion Loss and VSWR
- Instrumentation Grade
- DC Short Circuit

Applications:

- Test Lab
- Instrumentations
- Sub-assemblies



Electrical Characteristics:

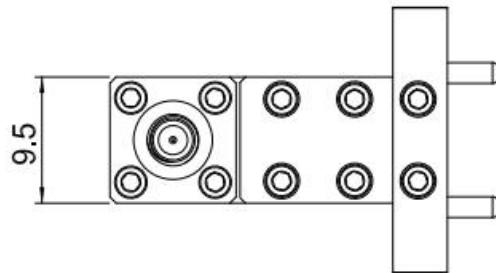
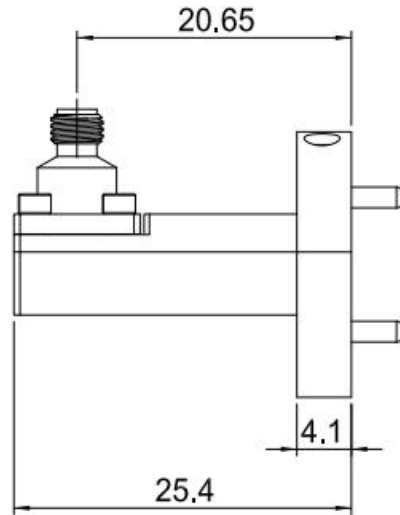
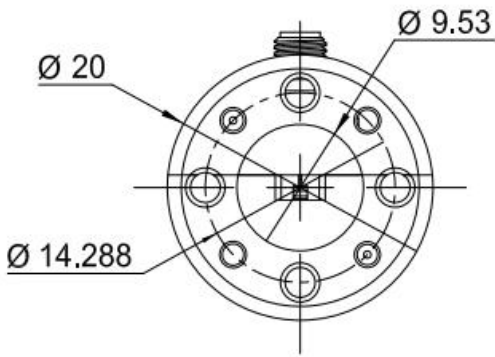
Parameter	Min	Typ	Max	Units
Frequency Range	50		75	GHz
VSWR			1.4	:1
Insertion Loss			1.0	dB
Power Handling			2	W

Environmental And Physical Characteristics:

Description	Parameter	Units
Material	Aluminum	
Finish	Gold Plated	
Coax Connector	1.0mm Female	
Waveguide	WR-15/UG-385/U-M	

Outline Drawing:

Unit:mm



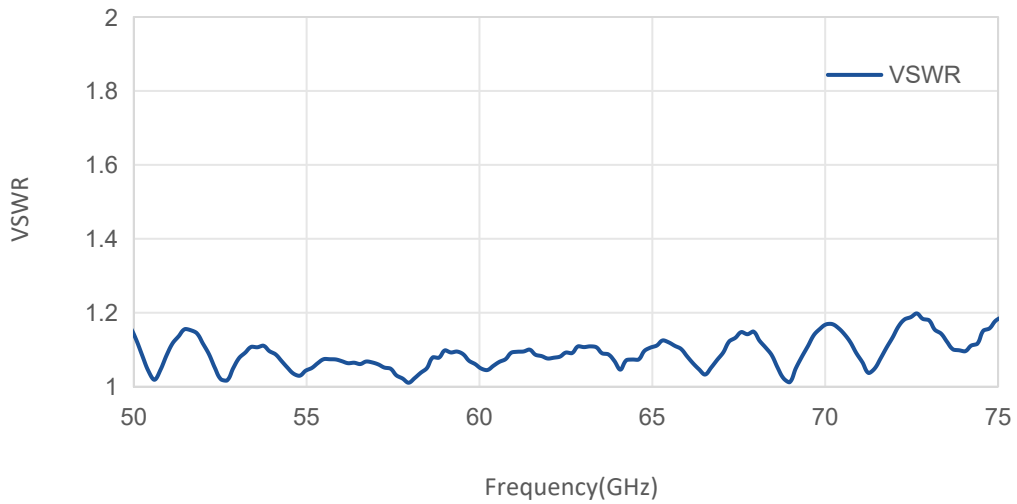
ESD Protection: Strictly adhere to ESD precautions to prevent electrostatic damage.

Ordering Information:

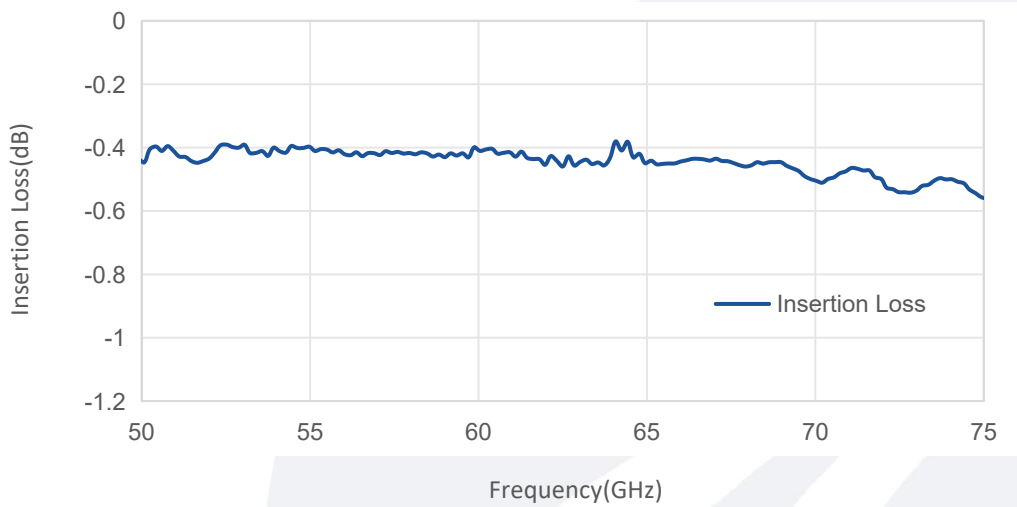
Base Number	Description	Revision
TL-15WCA1.0R	Waveguide to Coax Adapter, Right Angle WR15/1.0mm Female,50-75GHz	Rev.1.1

Typical Performance Data:

VSWR vs Frequency



Insertion Loss vs Frequency



Note: Above data is for ref only, actual data may vary from unit to unit depending on operating environment and other factors like material lots etc.