

## Waveguide to Coax Adapter, Right Angle

WR-15/1.0mm Female/ 50-75GHz

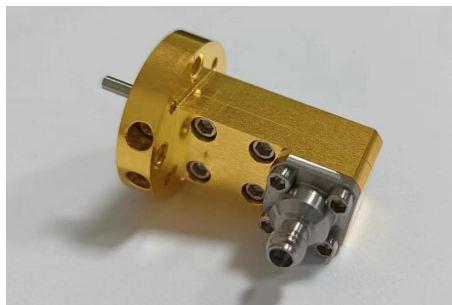
Model: TL-15WCA1.0R

### Features:

- Operating Frequency 50 to 75GHz
- Lower Insertion Loss and VSWR
- Instrumentation Grade
- DC Short Circuit

### Applications:

- Test Lab
- Instrumentations
- Sub-assemblies



### 电气特性 Electrical Characteristics:

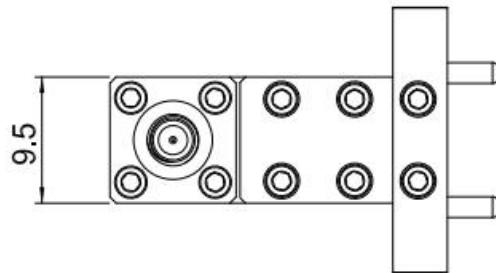
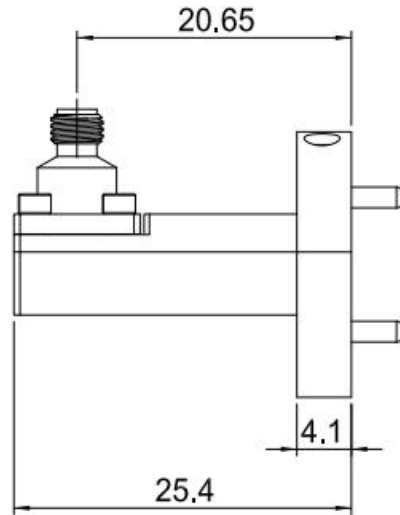
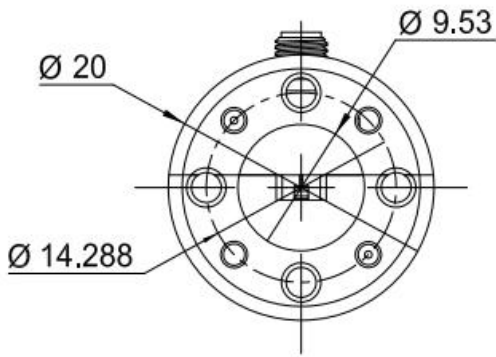
参数 Parameter	Min	Typ	Max	单位 Units
频率范围 Frequency Range	50		75	GHz
驻波 VSWR			1.4	:1
插损 Insertion Loss			1.0	dB
耐功率 Power Handling			2	W

### 环境和机械特性 Environmental And Physical Characteristics:

类型 Description	参数 Parameter	单位 Units
材质 Material	Aluminum	
表面处理 Finish	Gold Plated	
同轴接口 Coax Connector	1.0mm Female	
波导 Waveguide	WR-15/UG-385/U-M	

外形图 Outline Drawing:

Unit:mm



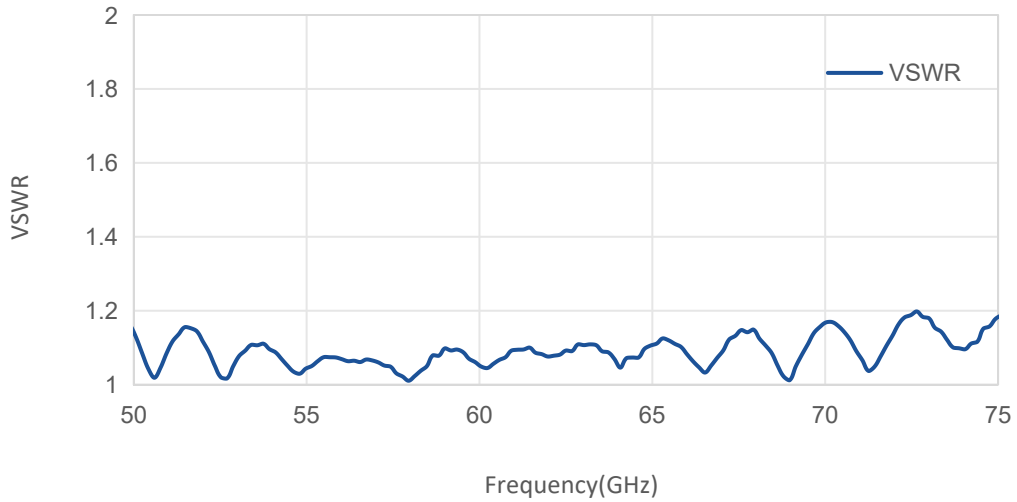
ESD Protection: Strictly adhere to ESD precautions to prevent electrostatic damage.

订货信息 Ordering Information:

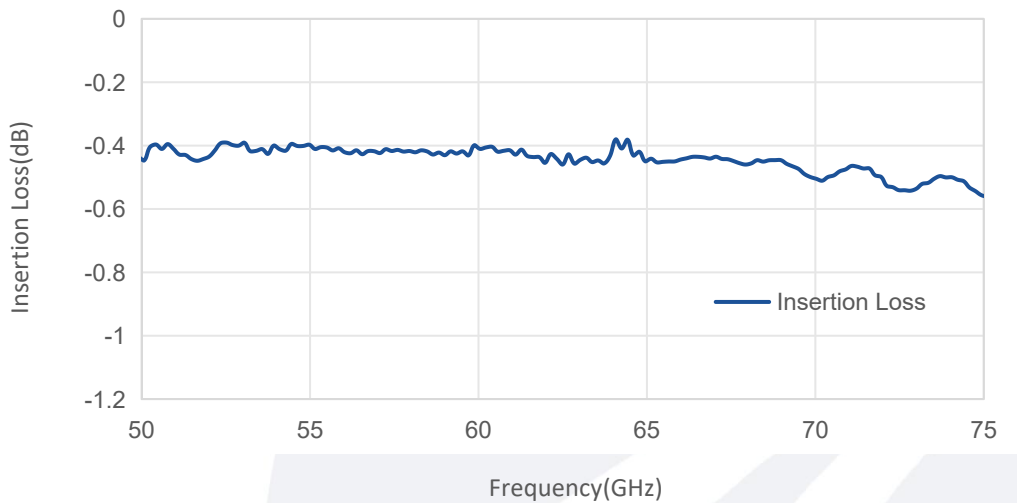
标准型号 Base Number	描述 Description	版本号 Revision
TL-15WCA1.0R	Waveguide to Coax Adapter, Right Angle WR15/1.0mm Female,50-75GHz	Rev.1.1

## 典型曲线 Typical Performance Data:

### VSWR vs Frequency



### Insertion Loss vs Frequency



Note: Above data is for ref only, actual data may vary from unit to unit depending on operating environment and other factors like material lots etc.