

## Standard Gain Horn Antenna

### WR-1.5/500-750GHz/25 dBi Typ, Gain

**Model:TL-1.5SHA25**

TL-1.5SHA25 is a standard gain horn antenna that operates from 330 GHz to 500GHz. The antenna offers 25 dBi nominal gain. The input of this antenna is a WR-1.5 waveguide with UG-387/U-M anti-cocking flange. The standard gain horn is offered for antenna range calibration purpose mainly, but it can be also used for general purpose system set ups.

#### Features:

- Operating Frequency 500 to 750 GHz
- Linear Polarization
- Good Impedance Match

#### Applications:

- Antenna Ranges
- Antenna Gain Measurements
- System Setups

#### Electrical Characteristics:

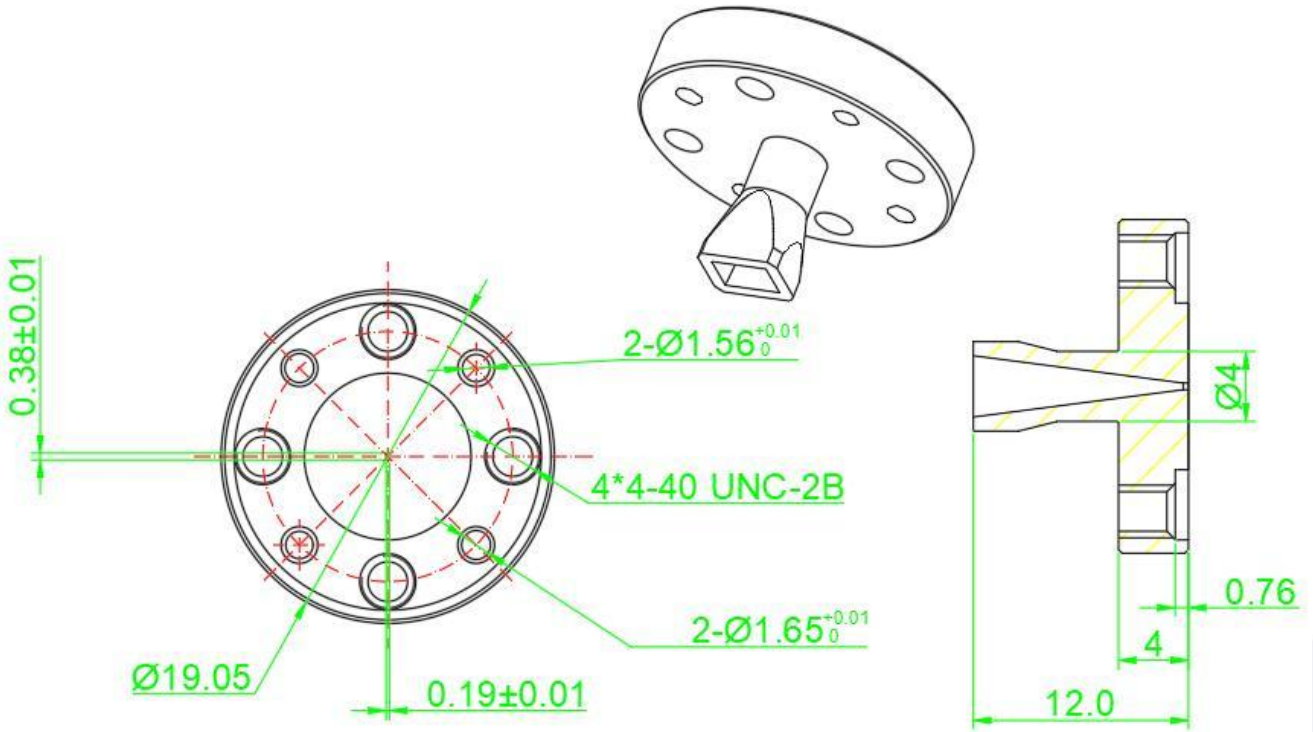
| Parameter         | Min    | Typ | Max  | Units |
|-------------------|--------|-----|------|-------|
| Frequency Range   | 500    |     | 750  | GHz   |
| Gain              |        | 25  |      | dBi   |
| Polarization mode | Linear |     |      |       |
| Input VSWR        |        |     | 1.15 | :1    |
| Output mode       | APF1.5 |     |      |       |
| Antenna Beamwidth |        | 10  |      | °     |

#### Environmental And Physical Characteristics:

| Description | Parameter       | Units |
|-------------|-----------------|-------|
| Material    | Brass           |       |
| Finish      | Gold plated     |       |
| Connectors  | WR-1.5/UG-387/U |       |
| Size        | ∅19.1*12        | mm    |
| Weight      | 20              | g     |

Outline Drawing:

Unit:mm



ESD Protection: Strictly adhere to ESD precautions to prevent electrostatic damage.

### Ordering Information:

| Base Number | Description  | Revision |
|-------------|--|----------|
| TL-1.5SHA25 | Standard Gain Horn Antenna, 500-750GHz, Gain: 25dBi Typ. | Rev.1.0  |