

Power Amplifier

6-12GHz/36dB Gain/40dBm Psat

Model: TLPA6G12G-36-36

TLPA6G12G-36-36 is a power amplifier with a minimum small signal gain of 36 dB and a nominal Psat of 40 dBm across the frequency range of 6 to 12 GHz. The DC power requirement for the amplifier is +28 VDC/3.5 A. The input and output port configuration offers coax adapter structure with SMA female.

Features:

- Frequency range: 6-12GHz
- Gain: 36dB Min
- Output Power Psat: 40dBm Typ
- Good Power and Gain Flatness
- 50 Ohm Matched Input / Output

Applications:

- Cellular
- PCN
- GSM
- ISM
- Lab Test

电气特性 Electrical Characteristics:

参数 Parameter	Min	Typ	Max	单位 Units
频率范围 Frequency range	6		12	GHz
小信号增益 Small Signal Gain	36			dB
增益平坦度 Gain Flatness		±2.5		dB
线性输出功率 Output P1dB	36	37		dBm
饱和输出功率 Output Psat		40		dBm
杂散 Spurious		-60		dBc
输入驻波 Input VSWR		1.5	2	:1
直流电压 DC Voltage		+28		V DC
直流电流 DC Supply Current		3.5		A
阻抗 Impedance		50		Ohms

机械特性 Mechanical Specifications:

参数 Parameter	指标 Value	单位 Units
输入/输出接口 Input /Output Connector	SMA Female/SMA Female	
直流偏置 DC Bias	Feedthru capacitors	
尺寸 Size	60*60*11(Without heatsink) 188*125*146(With heatsink)	mm

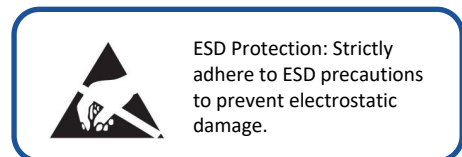
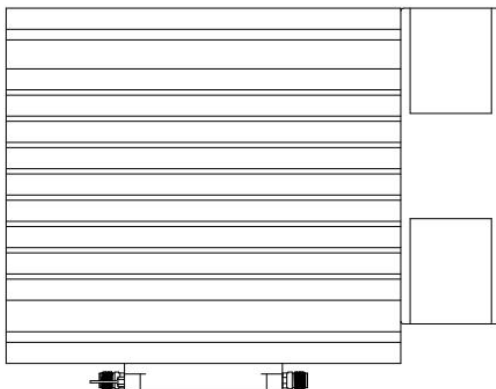
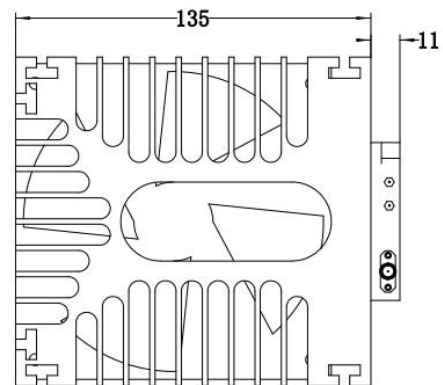
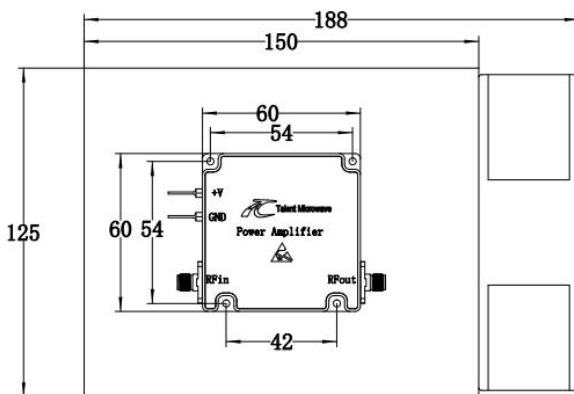
绝对最大值 Absolute Maximum Ratings:

参数 Parameter	指标 Value
供电偏置电压 Supply Bias Voltage	+29 V
输入功率 RF Input Power	0 dBm
ESD灵敏度 ESD sensitivity (HBm)	Class 0, passed 150V



外形图 Outline Drawing:

Unit:mm



温度环境 Environmental Conditions:

参数 Parameter	Min	Typ	Max	单位 Units
操作温度 Operating Temperature*	-40		+60	°C
存储温度 Non-operating Temperature*	-50		+70	°C
相对湿度 Relative humidity		95		%
海拔 Altitude	10,000			feet
震动 Shock / Vibration(MIL-STD-810F)	25g rms (15 degree 2KHz) endurance, 1 hour per axis			
冲击 Shock(non operating)	20G for 11msc half sin wave,3 axis both directions			

*Note: For a wider temperature range, please consult the manufacturer.

订货信息 Ordering Information:

标准型号 Base Number	描述 Description	版本号 Revision
TLPA6G12G-36-36	Power amplifier 6-12GHz, Gain:36dB,Psat:40dBm,+28V DC,Without Heatsink	Rev.1.1
TLPA6G12G-36-36-HS	Power amplifier 6-12GHz, Gain:36dB,Psat:40dBm,+28V DC,With Heatsink	Rev.1.1