

Power Amplifier

26.5-40GHz/32dB Gain/31dBm Psat

Model: TLPA26.5G40G-32-31

TLPA26.5G40G-32-31 is a power amplifier with a typical gain of 32 dB and a nominal Psat of 31 dBm across the frequency range of 26.5 to 40 GHz. The DC power requirement for the amplifier is +12 VDC/1.3 A. The input and output port configuration offers coax adapter structure with 2.92mm female.

Features:

- Frequency range: 26.5-40GHz
- Gain: 32dB Typ
- Output Power Psat: 31dBm Typ
- Good Power and Gain Flatness
- 50 Ohm Matched Input / Output

Applications:

- Cellular
- PCN
- GSM
- ISM
- Lab Test

电气特性 Electrical Characteristics:

参数 Parameter	Min	Typ	Max	单位 Units
频率范围 Frequency range	26.5		40	GHz
增益 Gain	30	32		dB
增益平坦度 Gain Flatness		±3		dB
线性输出功率 Output P1dB		28		dBm
饱和输出功率 Output Psat	30	31		dBm
输入驻波 Input VSWR		2		:1
输出驻波 Output VSWR		2		:1
直流电压 DC Voltage		+12		V DC
直流电流 DC Supply Current		1.3		A
阻抗 Impedance		50		Ohms

机械特性 Mechanical Specifications:

参数 Parameter	指标 Value	单位 Units
输入/输出接口 Input /Output Connector	2.92mm Female/2.92mm Female	
直流偏置 DC Bias	Solder Pin	
尺寸 Size	65*50*14(Without Heatsink) 100*50*64(With Heatsink)	mm

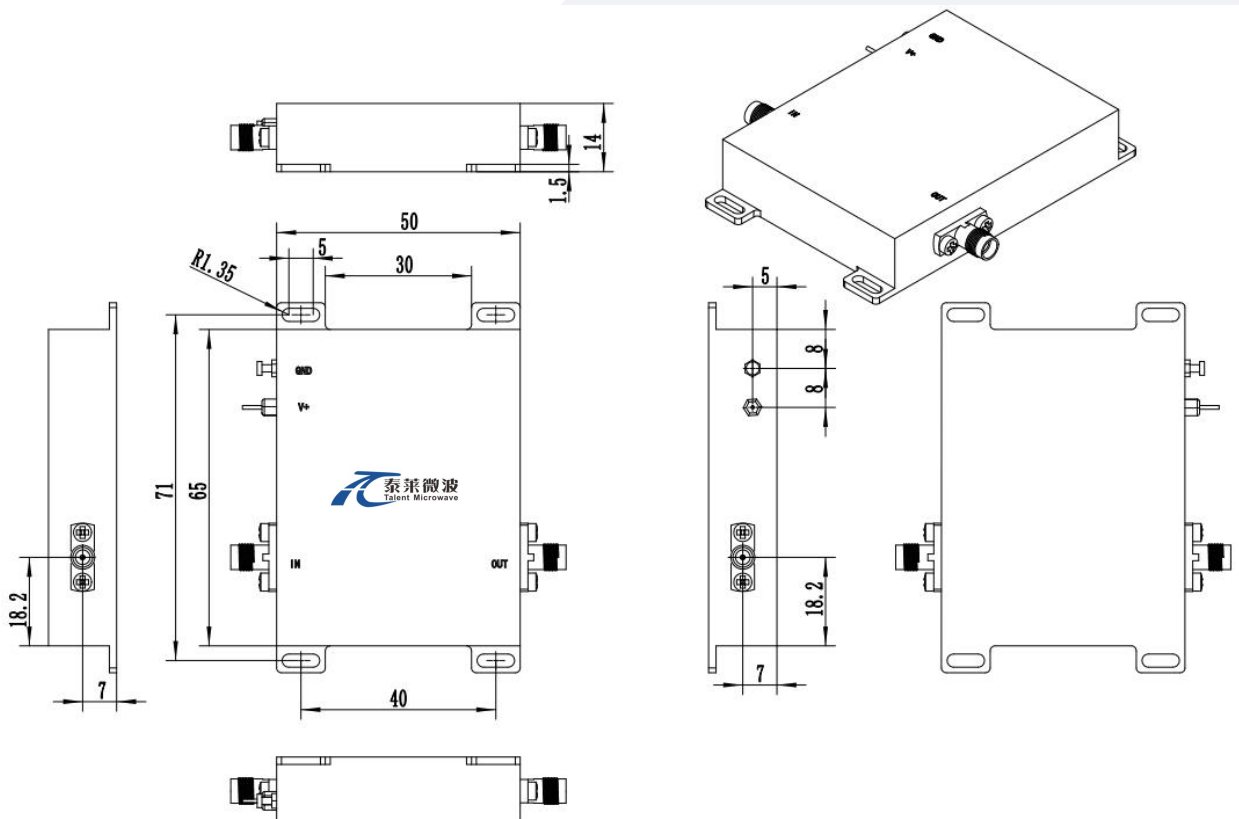
绝对最大值 Absolute Maximum Ratings:

参数 Parameter	指标 Value
供电偏置电压 Supply Bias Voltage	TBD
输入功率 RF Input Power	+5 dBm
ESD灵敏度 ESD sensitivity (HBm)	Class 0, passed 150V



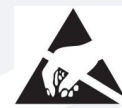
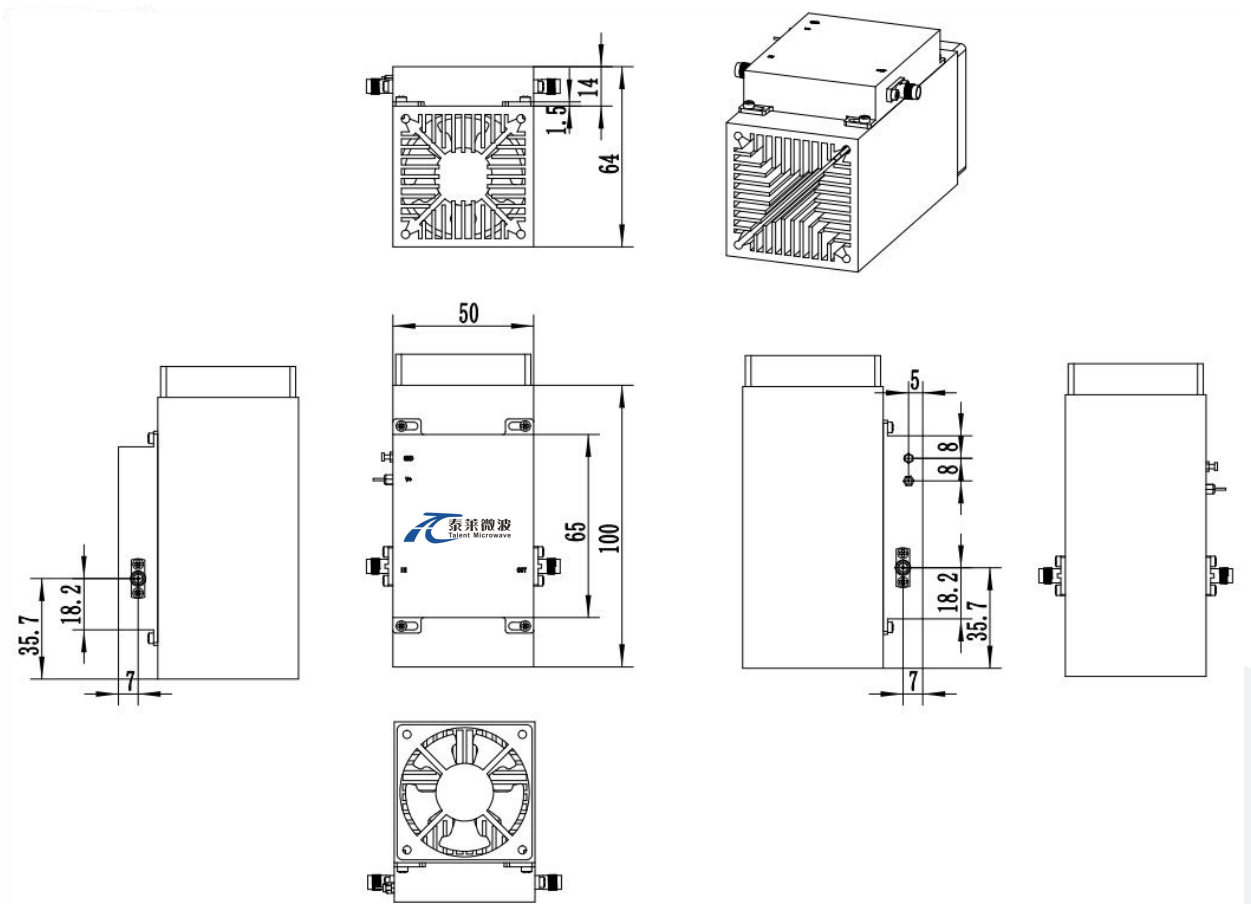
外形图 Outline Drawing:

Unit:mm



外形图 Outline Drawing:

Unit:mm



ESD Protection: Strictly adhere to ESD precautions to prevent electrostatic damage.

温度环境 Environmental Conditions:

参数 Parameter	Min	Typ	Max	单位 Units
操作温度 Operating Temperature*	-40		+60	°C
存储温度 Non-operating Temperature*	-50		+70	°C
相对湿度 Relative humidity		95		%
海拔 Altitude		10,000		feet
震动 Shock / Vibration(MIL-STD-810F)	25g rms (15 degree 2KHz) endurance, 1 hour per axis			
冲击 Shock(non operating)	20G for 11msc half sin wave,3 axis both directions			

*Note: For a wider temperature range, please consult the manufacturer.

订货信息 Ordering Information:

标准型号 Base Number	描述 Description	版本号 Revision
TLPA26.5G40G-32-31	Power amplifier 26.5-40GHz, Gain:32dB,Psat:31dBm,+12V DC,Without Heatsink	Rev.1.1
TLPA26.5G40G-32-31-HS	Power amplifier 26.5-40GHz, Gain:32dB,Psat:31dBm,+12V DC,With Heatsink	Rev.1.1