

Power Amplifier

18-40GHz/30dB Gain/32dBm Psat

Model: TLPA18G40G-30-32-HS

TLPA18G40G-30-32-HS is a power amplifier with a minimum gain of 30 dB and a minimum Psat of 32 dBm across the frequency range of 18 to 40 GHz. The DC power requirement for the amplifier is +24 VDC/2 A. The input and output port configuration offers coax adapter structure with 2.92mm female.

Features:

- Frequency range: 18-40GHz
- Gain: 30dB Min
- Output Power Psat: 32dBm Min
- Good Power and Gain Flatness
- 50 Ohm Matched Input / Output

Applications:

- Cellular
- PCN
- GSM
- ISM
- Lab Test

Electrical Characteristics:

Parameter	Min	Typ	Max	Units
Frequency range	18		40	GHz
Gain	30	33		dB
Gain Flatness		±3		dB
Output P1dB	30	31		dBm
OutputPsat	32	33		dBm
Input VSWR		2	2.2	:1
Output VSWR		2	2.2	:1
DC Voltage		+24		V DC
DC Supply Current		2		A
Impedance		50		Ohms

Mechanical Specifications:

Parameter	Value	Units
Input /Output Connector	2.92mm Female/2.92mm Female	
DC Bias	Solder Pin	
Size	130*170*52(With heatsink)	mm

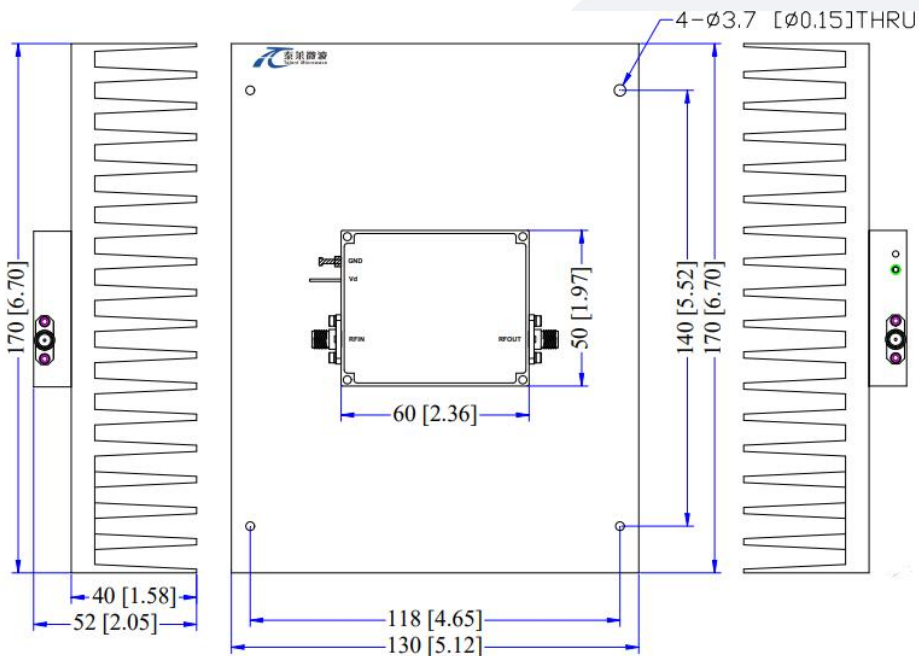
Absolute Maximum Ratings:

Parameter	Value
Supply Bias Voltage	TBD
RF Input Power	+5 dBm
ESD sensitivity (HBm)	Class 0, passed 150V



Outline Drawing:

Unit:mm



ESD Protection: Strictly adhere to ESD precautions to prevent electrostatic damage.

Environmental Conditions:

Parameter	Min	Typ	Max	Units
Operating Temperature*	-40		+60	°C
Non-operating Temperature*	-50		+70	°C
Relative humidity	95			%
Altitude	10,000			feet
Shock / Vibration(MIL-STD-810F)	25g rms (15 degree 2KHz) endurance, 1 hour per axis			
Shock(non operating)	20G for 11msc half sin wave,3 axis both directions			

*Note: For a wider temperature range, please consult the manufacturer.

Ordering Information:

Base Number	Description	Revision
TLPA18G40G-30-32-HS	Power amplifier 18-40GHz, Gain:30dB,Psat:32dBm,+24V DC,With Heatsink	Rev.1.1