

Frequency Extender

330-500GHz /WR-2.2

Model: TLSE-330500-N230-2.2

TLSE-330500-N230-2.2 frequency extenders are a dedicated Test & Measurement solution for extending the range of your signal source to 330-500 GHz.

Features:

- Frequency range: 330-500 GHz
- Output Power : -2 dBm Typ
- Low power consumption

Applications:

- Frequency Extension
- Antenna measurements
- Material characterisation

Electrical Characteristics:

Parameter	Min	Typ	Max	Units
Frequency range	330		500	GHz
Output Power		-2		dBm
Dynamic Range (Optional mechanical Attenuator)		30		dB
Input Frequency	9.16		13.89	GHz
Input Power	3	5	7	dBm
Multiplication Factor		36		

Mechanical Specifications:

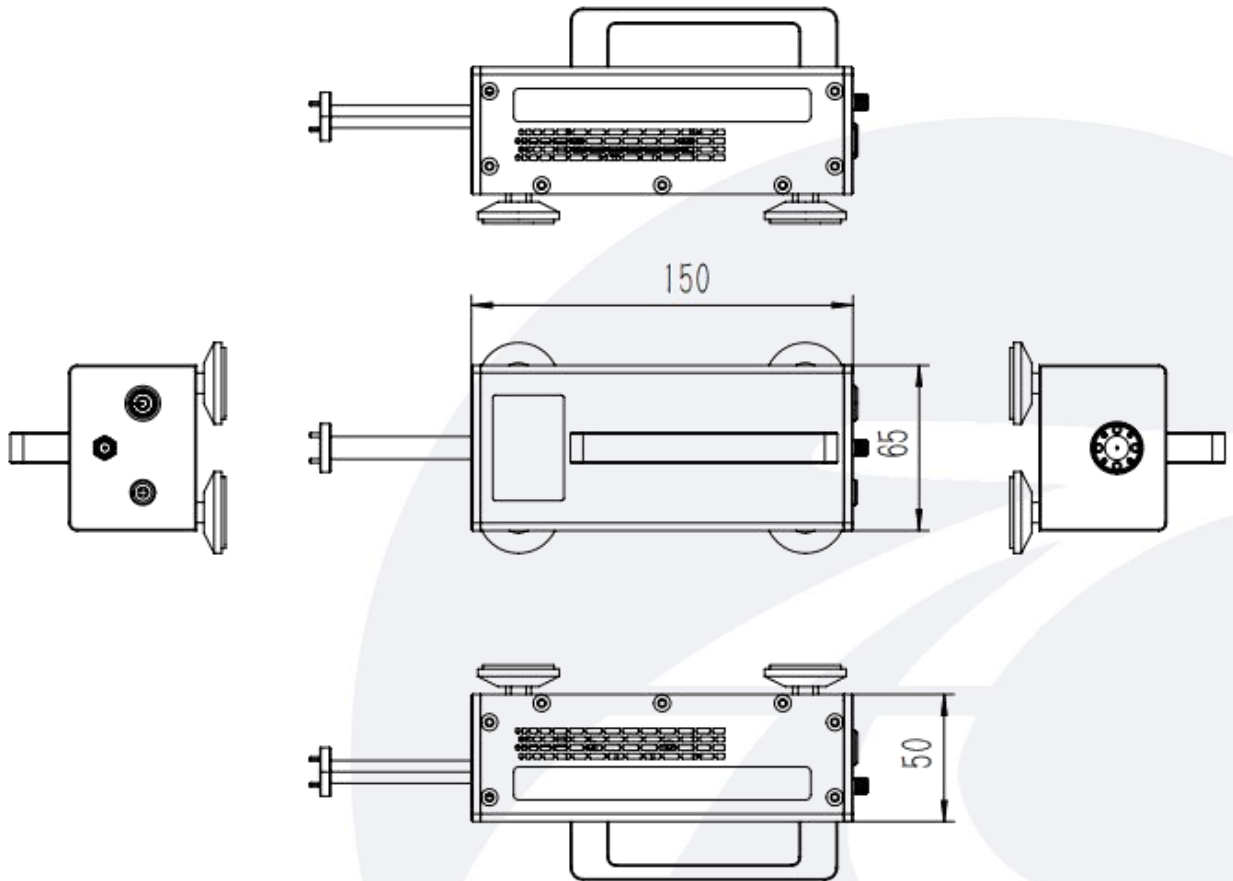
Parameter	Value	Units
Input Connector	SMA Female	
Output Connector	WR-2.2/UG-387/U	
Power Supply Pin	FGG 0B 4 Core	
Size	170*75*68	mm

Absolute Maximum Ratings:

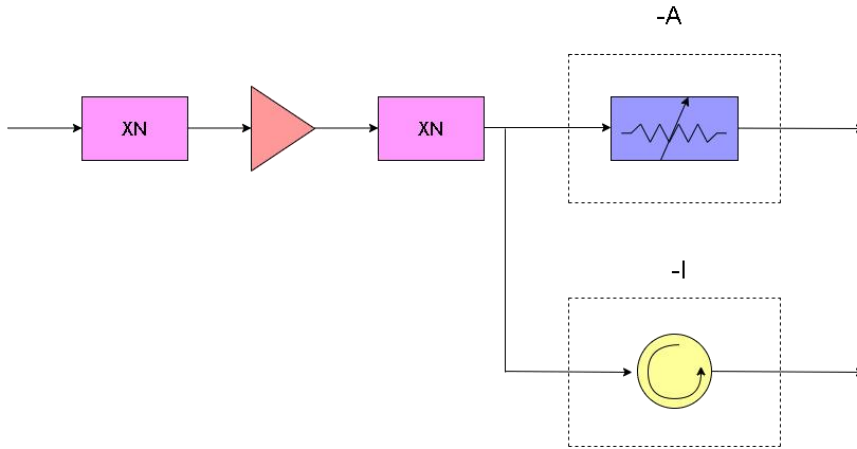
Parameter	Value
Supply Bias Voltage	+240 V AC
RF Input Power	+10 dBm
ESD sensitivity (HBm)	Class 0, passed 150V

Outline Drawing:

Unit:mm



Block Diagrams:



Environmental Conditions:

Parameter	Min	Typ	Max	Units
Operating Temperature	-10		+65	°C
Non-operating Temperature	-45		+85	°C
Relative humidity		95		%
Altitude		10,000		feet
Shock / Vibration(MIL-STD-810F)	25g rms (15 degree 2KHz) endurance, 1 hour per axis			
Shock(non operating)	20G for 11msc half sin wave,3 axis both directions			

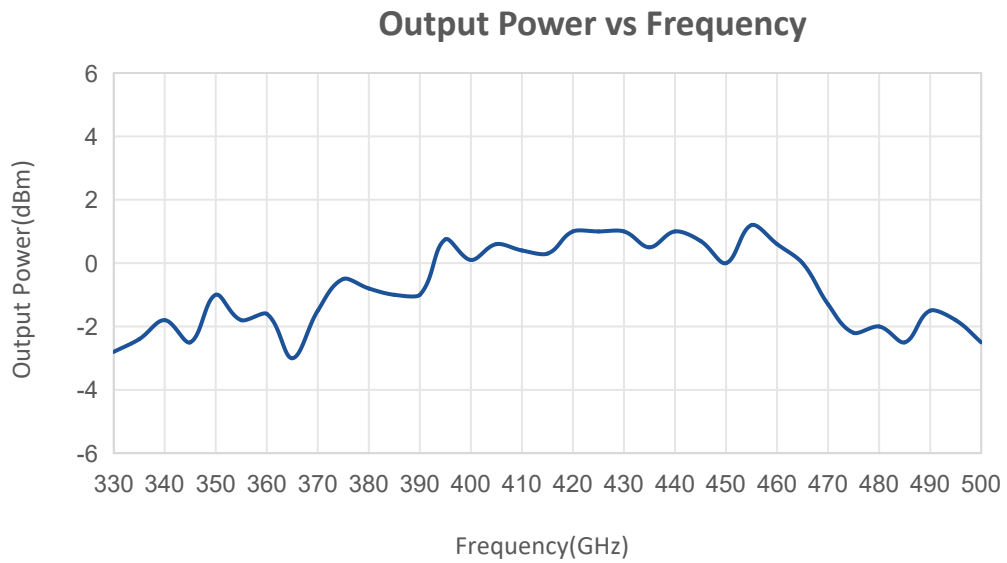
Ordering Information:

Part Number	Description	Option		Revision
		Optional Mechanical Attenuator	Isolation	
TLSE-330500-N230-2.2	Frequency Extender,X36,330-500GHz, Output Power: -2 dBm Typ	-A	-I	Rev.1.2

Components Included:

Part Number	Description	Quantity
TLACTDC-22012	AC-to-DC Power Adapter	1 PCS

Typical Performance Data:



Note: Above data is for ref only, actual data may vary from unit to unit depending on operating environment and other factors like material lots etc, P1dB test points are taken at intervals of 5 GHz for curve testing..