

Power Amplifier

18-40GHz/50dB Gain/37dBm Psat

Model: TLPA18G40G-40-37-V2

TLPA18G40G-40-37-V2 is a power amplifier with a typical small signal gain of 50 dB and a minimum Psat of 37dBm @19~39GHz across the frequency range of 18 to 39 GHz. The DC power requirement for the amplifier is +24 VDC/1.7 A. The input and output port configuration offers coax adapter structure with 2.92mm female.

Features:

- Frequency range: 18-40GHz
- Gain: 50dB Typ
- Output Power Psat: 37dBm Typ
- Good Power and Gain Flatness
- 50 Ohm Matched Input / Output

Applications:

- Cellular
- PCN
- GSM
- ISM
- Lab Test

电气特性 Electrical Characteristics:

参数 Parameter	Min	Typ	Max	单位 Units
频率范围 Frequency range	18		40	GHz
小信号增益 Small Signal Gain		50		dB
增益平坦度 Gain Flatness		±5		dB
线性输出功率 Output P1dB	34	35		dBm
饱和输出功率 Output Psat	@18-39GHz	37	38	dBm
	@39-40GHz	36		
杂散 Spurious			-60	dBc
谐波抑制 Harmonic			-20	dBc
输入驻波 Input VSWR			2.0	:1
直流电压 DC Voltage		24		V DC
直流电流 DC Supply Current		1.7		A
阻抗 Impedance		50		Ohms

机械特性 Mechanical Specifications:

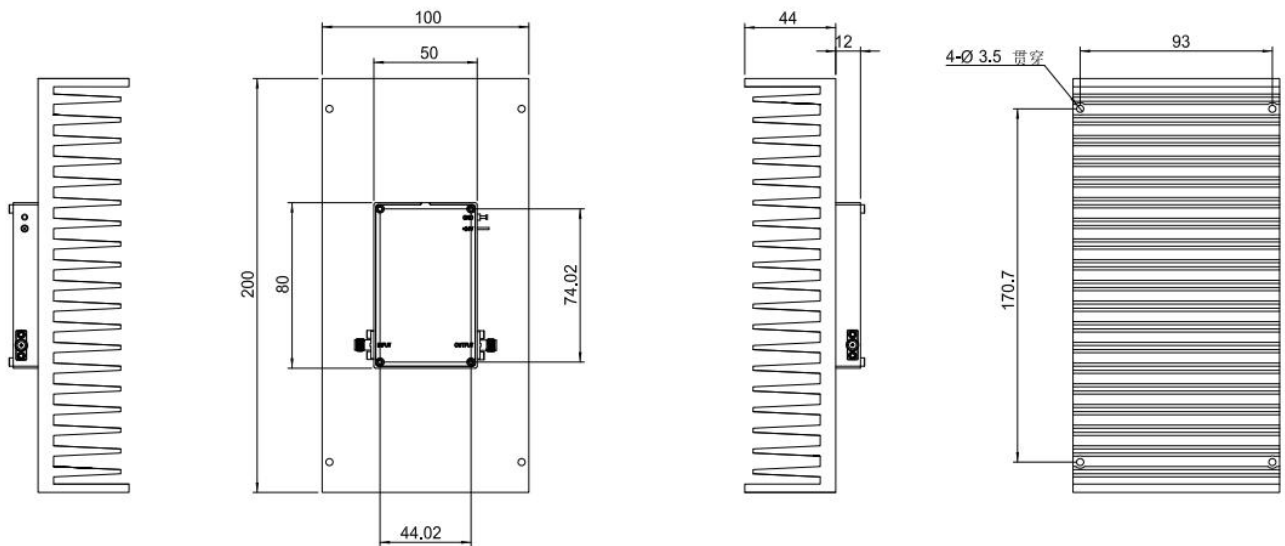
参数 Parameter	指标 Value	单位 Units
输入/输出接口 Input /Output Connector	2.92mm Female/2.92mm Female	
直流偏置 DC Bias	Solder Pin	
尺寸 Size	50*80*12(Without heatsink) 200*100*56(With heatsink)	mm

绝对最大值 Absolute Maximum Ratings:

参数 Parameter	指标 Value
供电偏置电压 Supply Bias Voltage	+26 V
输入功率 RF Input Power	+10 dBm
ESD灵敏度 ESD sensitivity (HBm)	Class 0, passed 150V

外形图 Outline Drawing:

Unit:mm



*****Heat Sink Required During Operation**



ESD Protection: Strictly adhere to ESD precautions to prevent electrostatic damage.

温度环境 Environmental Conditions:

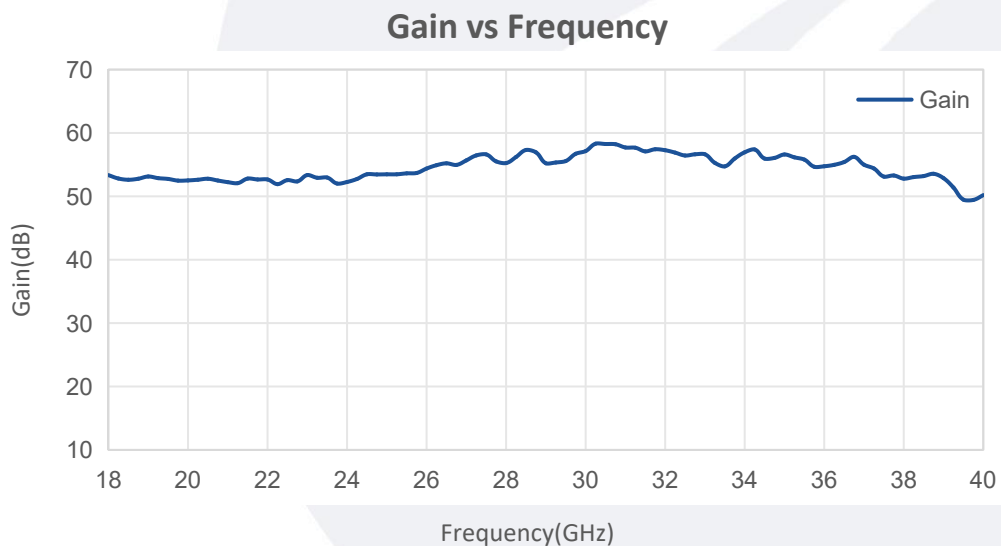
参数 Parameter	Min	Typ	Max	单位 Units
操作温度 Operating Temperature*	-40		+60	°C
存储温度 Non-operating Temperature*	-50		+70	°C
相对湿度 Relative humidity		95		%
海拔 Altitude	10,000			feet
震动 Shock / Vibration(MIL-STD-810F)	25g rms (15 degree 2KHz) endurance, 1 hour per axis			
冲击 Shock(non operating)	20G for 11msc half sin wave,3 axis both directions			

*Note: For a wider temperature range, please consult the manufacturer.

订货信息 Ordering Information:

标准型号 Base Number	描述 Description	版本号 Revision
TLPA18G40G-40-37-V2	Power amplifier 18-40GHz, Gain:50dB, Psat:37dBm, +24V DC, With Heatsink	Rev.1.2

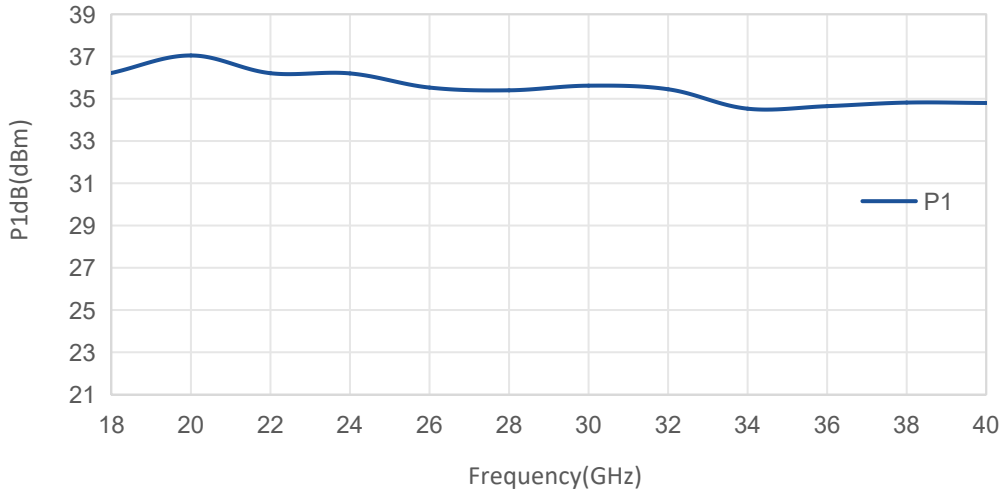
典型曲线 Typical Performance Data:



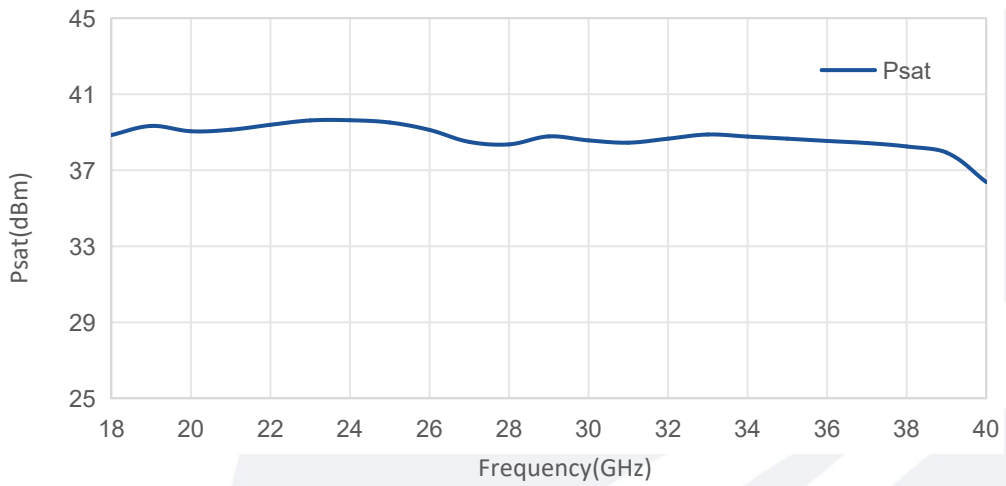
Note: Above data is for ref only, actual data may vary from unit to unit depending on operating environment and other factors like material lots etc.

典型曲线 Typical Performance Data:

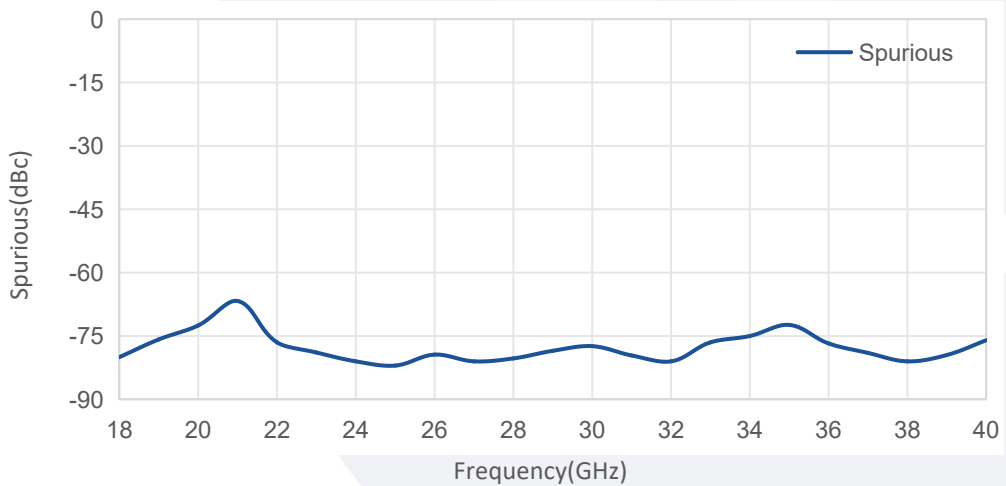
P1dB vs Frequency



Psat vs Frequency



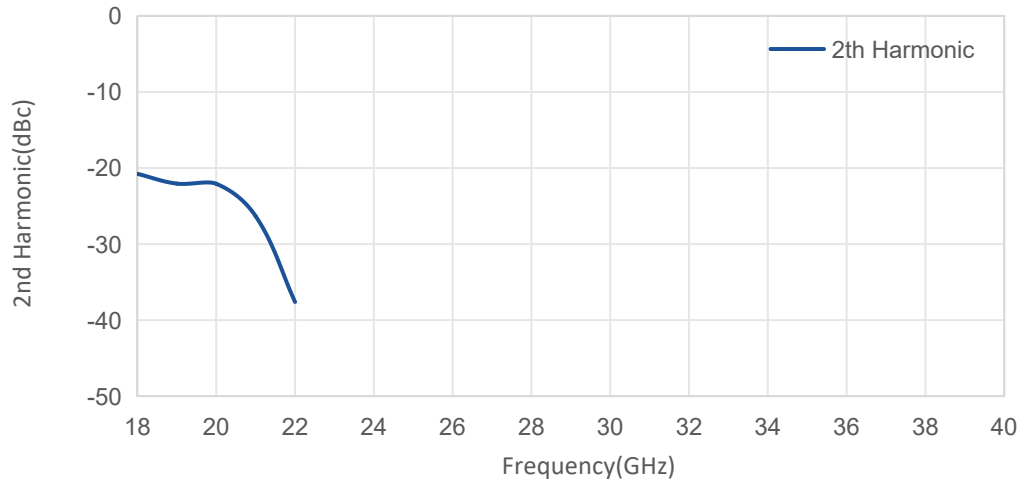
Spurious vs Frequency



Note: Above data is for ref only, actual data may vary from unit to unit depending on operating environment and other factors like material lots etc.

典型曲线 Typical Performance Data:

2nd Harmonic vs Frequency



Note: Above data is for ref only, actual data may vary from unit to unit depending on operating environment and other factors like material lots etc.