

Power Limiter

0.5-18GHz /200W,Power Handling

Model: TLMT-0.5G18G-53-10

The TLMT-0.5G18G-53-10 is a broadband limiter product. This limiter has an operating frequency range that can cover 0.5-18 GHz and features stable performance.

Features:

- Frequency range:0.5-18 GHz
- RF Power Handling:200W(Pulse width: 3 us, duty cycle: 3%)
- Limiting power:10 dBm
- Low Insertion Loss
- 50 Ohm Matched Input / Output

Applications:

- Communication receiver
- Laboratory test
- Sensor radar

电气特性 Electrical Characteristics:

| 参数 Parameter | Min | Typ | Max | 单位 Units |
|----------------------|---|-----|-----|----------|
| 频率范围 Frequency range | 0.5-18 | | | GHz |
| 插损 Insertion Loss | | 1.5 | | dB |
| 限幅电平 Limiting power | | 10 | | dBm |
| 输入驻波 Input VSWR | | 1.8 | 2 | :1 |
| 输出驻波 Output VSWR | | 1.8 | 2 | :1 |
| 耐功率 Power handling | 200W(Pulse width: 3 us, duty cycle: 3%) | | | |
| 阻抗 Impedance | 50 | | | Ohms |

*Note: Heatsink needs to be installed when limiter operating at high power.

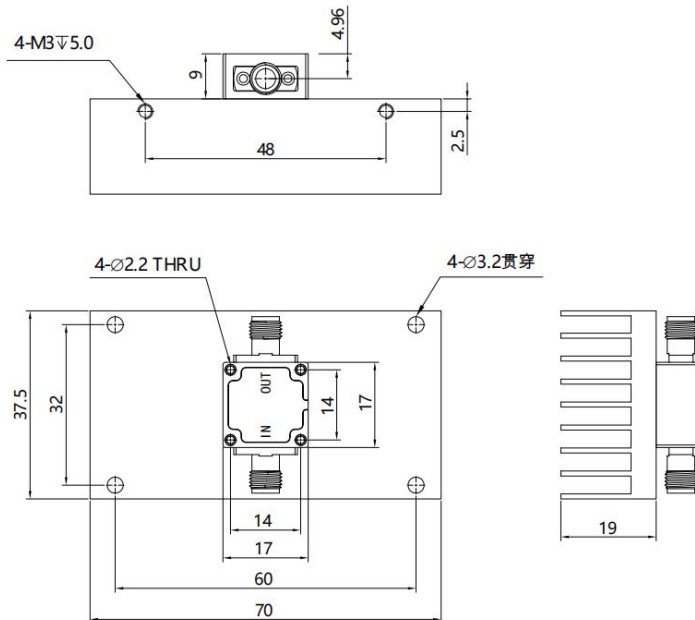
机械特性 Mechanical Specifications:

| 参数 Parameter | 指标 Value | 单位 Units |
|---------------------------------|--|----------|
| 输入/输出接口 Input /Output Connector | SMA Female/SMA Female | |
| 尺寸 Size | 17*17*9(Without Heatsink) 70*37.5*28(With Heatsink) | mm |

绝对最大值 Absolute Maximum Ratings:

| 参数 Parameter | 指标 Value |
|------------------------------|----------------------|
| 输入功率 RF Input Power | 200W |
| ESD灵敏度 ESD sensitivity (HBm) | Class 0, passed 150V |

外形图 Outline Drawing: Unit:mm



ESD Protection: Strictly adhere to ESD precautions to prevent electrostatic damage.

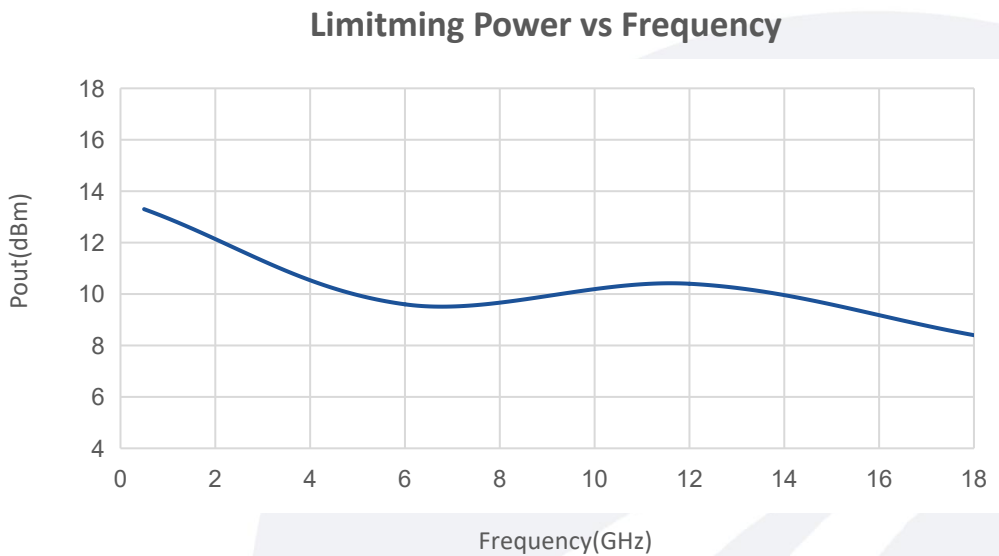
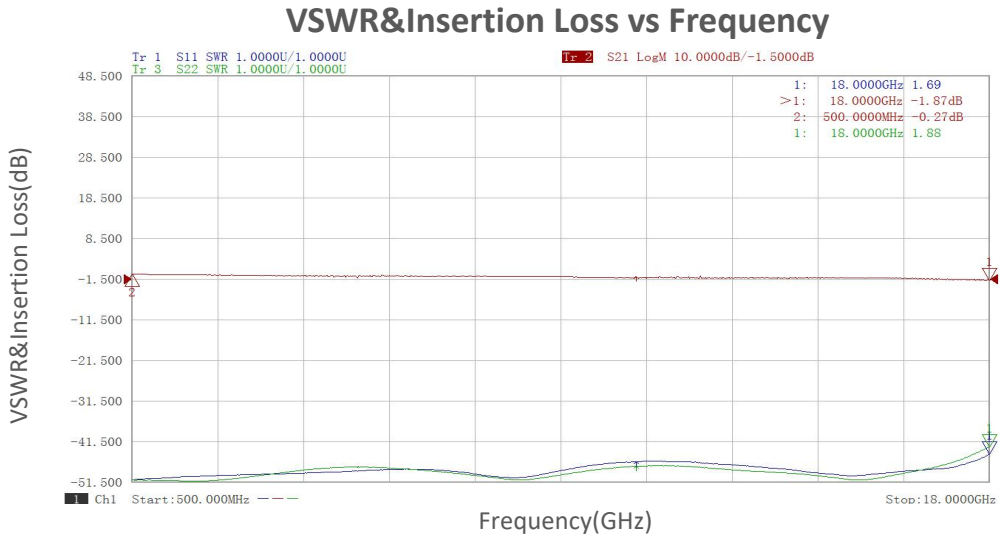
温度环境 Environmental Conditions:

| 参数 Parameter | Min | Typ | Max | 单位 Units |
|------------------------------------|---|--------|------|----------|
| 操作温度 Operating Temperature | -45 | | +85 | °C |
| 存储温度 Non-operating Temperature | -55 | | +125 | °C |
| 相对湿度 Relative humidity | | 95 | | % |
| 海拔 Altitude | | 10,000 | | feet |
| 震动 Shock / Vibration(MIL-STD-810F) | 25g rms (15 degree 2KHz) endurance, 1 hour per axis | | | |
| 冲击 Shock(non operating) | 20G for 11msc half sin wave,3 axis both directions | | | |

订货信息 Ordering Information:

| 标准型号 Base Number | 描述 Description | 版本号 Revision |
|--------------------|---|--------------|
| TLMT-0.5G18G-53-10 | Power Limiter, 0.5-18GHz, Limiting power:10 dBm | Rev.1.1 |

典型曲线 Typical Performance Data:



Note: Above data is for ref only, actual data may vary from unit to unit depending on operating environment and other factors like material lots etc.