

## Low Noise Amplifier

10-67GHz/5.0dB NF/30dB Gain/13dBm P1dB

Model: TLLA10G67G-30-50

TLLA10G67G-30-50 is a low noise amplifier with a typical small signal gain of 30 dB and a nominal noise figure of 5.0 dB across the frequency range of 10 to 67 GHz. The DC power requirement for the amplifier is +12 V DC/300 mA. The input and output port configuration offers coax adapter structure with 1.85mm female.

### Features:

- Frequency range: 10-67GHz
- Gain: 30dB Typ
- Noise Figure: 5.0dB Typ
- Good Power and Gain Flatness
- 50 Ohm Matched Input / Output

### Applications:

- Communication systems

## 电气特性 Electrical Characteristics:

参数 Parameter	Min	Typ	Max	单位 Units
频率范围 Frequency range	10		67	GHz
小信号增益 Small Signal Gain	28	30		dB
增益平坦度 Gain Flatness		±3		dB
噪声系数 Noise Figure		5	8	dB
线性输出功率 Output P1dB		13		dBm
输出三阶交调 Output IP3		25		dBm
输入驻波 Input VSWR		2		:1
输出驻波 Output VSWR		2		:1
直流电压 DC Voltage		+12	+13	V DC
直流电流 DC Supply Current		300		mA
阻抗 Impedance		50		Ohms

## 机械特性 Mechanical Specifications:

参数 Parameter	指标 Value	单位 Units
输入/输出接口 Input /Output Connector	1.85mm Female/1.85mmFemale	
直流偏置 DC Bias	Solder Pin	
尺寸 Size	76.2*50.8*37.2	mm

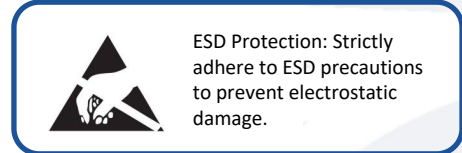
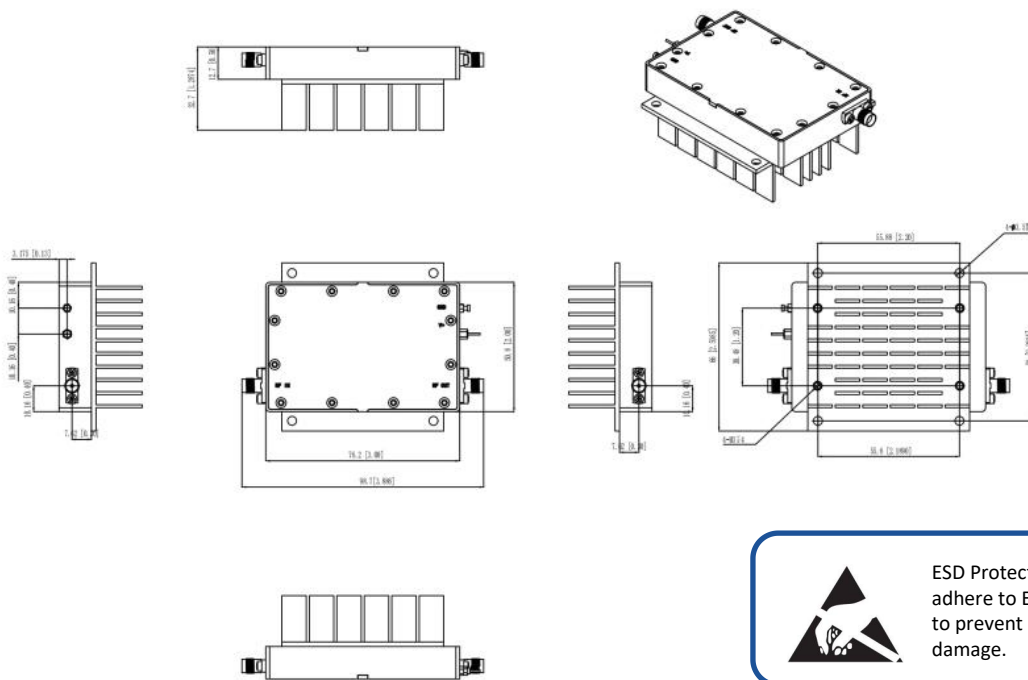
### 绝对最大值 Absolute Maximum Ratings:

参数 Parameter	指标 Value
供电偏置电压 Supply Bias Voltage	+13 V
输入功率 RF Input Power	+10 dBm
ESD灵敏度 ESD sensitivity (HBm)	Class 0, passed 150V



### 外形图 Outline Drawing:

Unit:mm



**\*\*\*Heat Sink Required During Operation**

### 温度环境 Environmental Conditions:

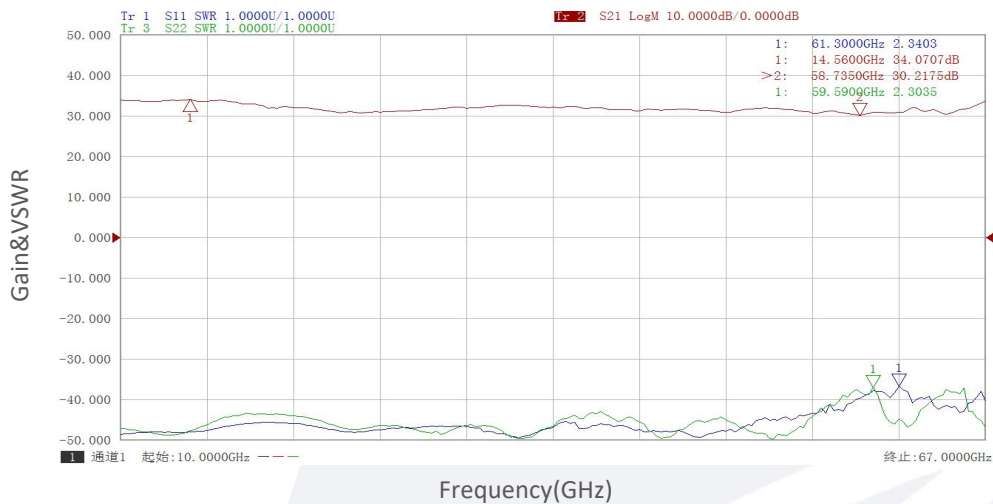
参数 Parameter	Min	Typ	Max	单位 Units
操作温度 Operating Temperature	-45		+85	°C
存储温度 Non-operating Temperature	-55		+125	°C
相对湿度 Relative humidity		95		%
海拔 Altitude	50,000			feet
震动 Shock / Vibration(MIL-STD-810F)	25g rms (15 degree 2KHz) endurance, 1 hour per axis			
冲击 Shock(non operating)	20G for 11msc half sin wave,3 axis both directions			

## 订货信息 Ordering Information:

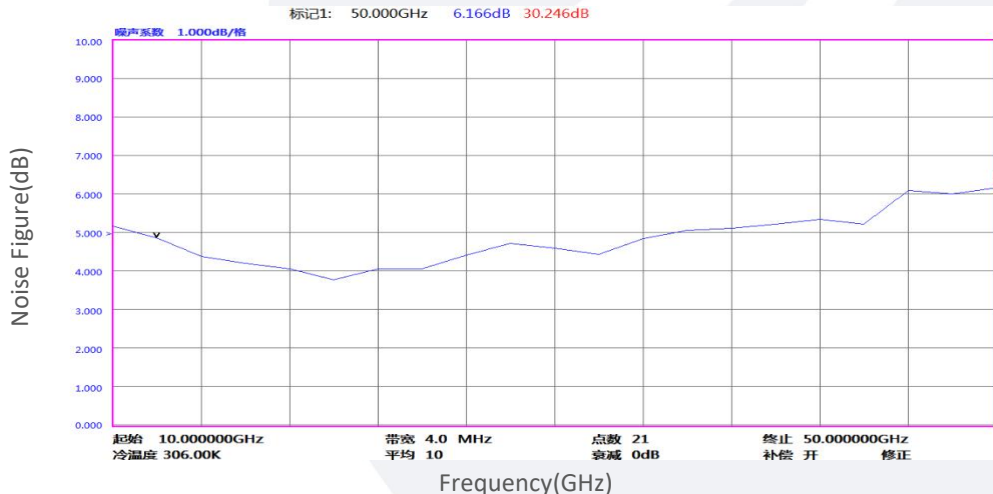
标准型号 Base Number	描述 Description	版本号 Revision
TLLA10G67G-30-50	Low Noise Amplifier, 10-67GHz, Noise Figure:5.0dB, Gain:30dB,P1dB:13dBm,+12V DC,Without Heatsink	Rev.1.1
TLLA10G67G-30-50-HS	Low Noise Amplifier, 10-67GHz, Noise Figure:5.0dB, Gain:30dB,P1dB:13dBm,+12V DC,With Heatsink	Rev.1.1

## 典型曲线 Typical Performance Data:

### Gain&VSWR vs Frequency



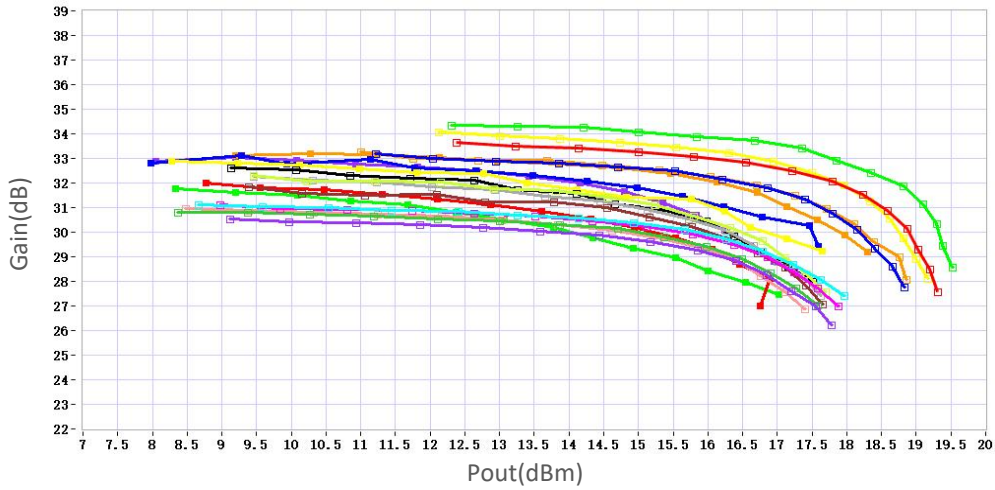
### Noise Figure vs Frequency



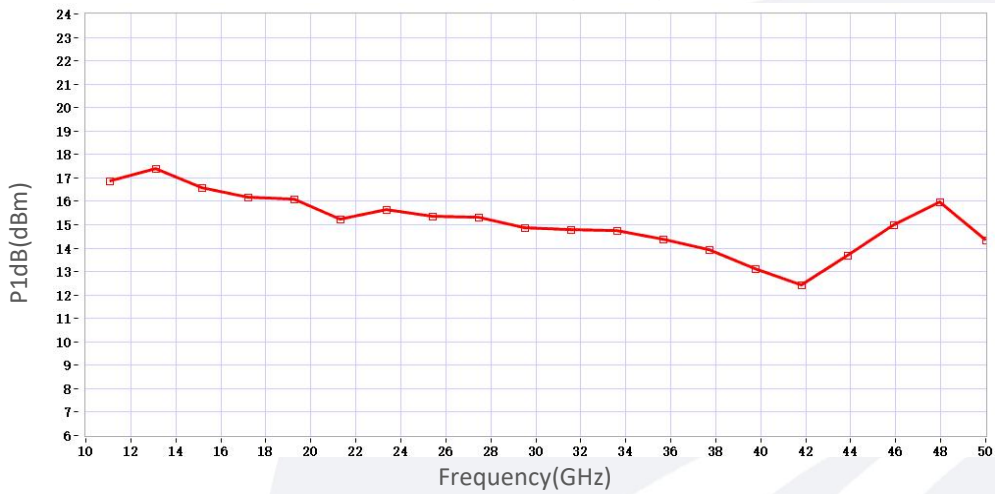
Note: Above data is for ref only, actual data may vary from unit to unit depending on operating environment and other factors like material lots etc.

**典型曲线 Typical Performance Data:**

**Gain vs Output Power**



**P1dB vs Frequency**



Note: Above data is for ref only, actual data may vary from unit to unit depending on operating environment and other factors like material lots etc.