

Waveguide to Coax Adapter, End Launch

WR19/1.85mm Female/40-60GHz

Model: TL-19WCA1.85E

The TL-19WCA1.85E is end launch waveguide to coax adapters that cover the frequency range of 40 to 60 GHz. It is designed for an efficient transition between the rectangular waveguide and 1.85 mm coax connector.

Features:

- Operating Frequency 40 to 60GHz
- Lower Insertion Loss and VSWR
- Instrumentation Grade
- DC Short Circuit

Applications:

- Test Lab
- Instrumentations
- Sub-assemblies

电气特性 Electrical Characteristics:

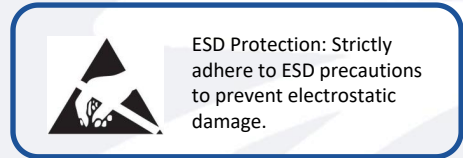
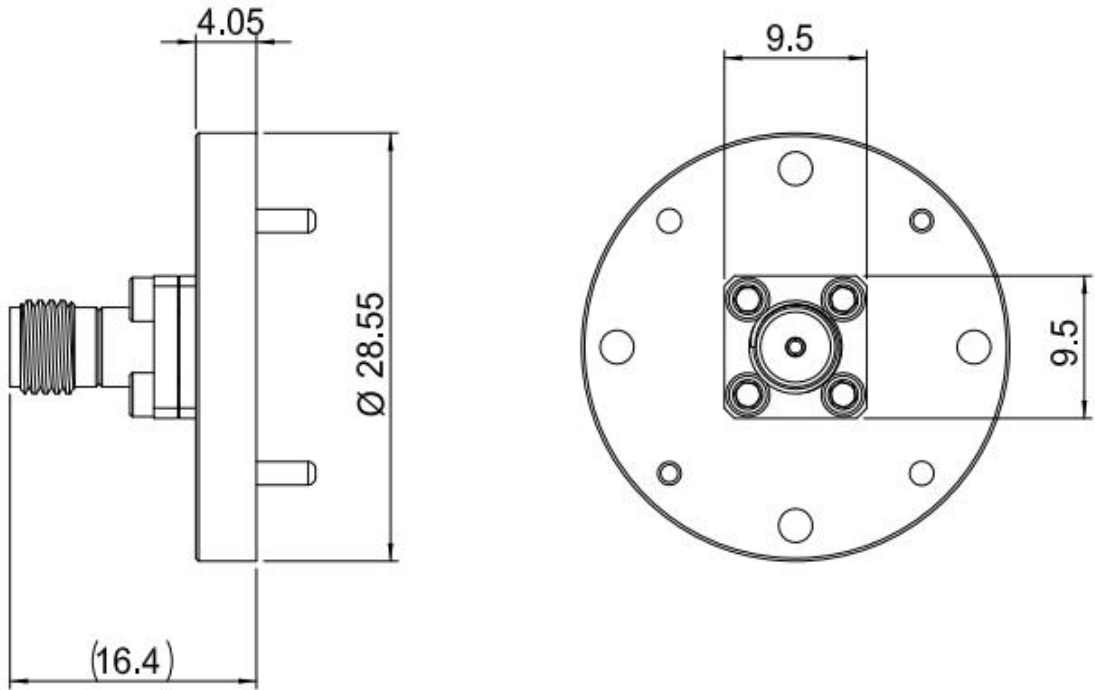
参数 Parameter	Min	Typ	Max	单位 Units
频率范围 Frequency Range	40		60	GHz
驻波 VSWR		1.3		:1
插损 Insertion Loss		0.4		dB

环境和机械特性 Environmental And Physical Characteristics:

类型 Description	参数 Parameter	单位 Units
操作温度 Operating Temperature	-40 To +85	°C
存储温度 Storage Temperature	-40 to +85	°C
材质 Material	Copper	
表面处理 Finish	Gold Plated	
同轴接口 Coax Connector	1.85mm Female	
波导 Waveguide	WR19/UG-383/U-M	
尺寸 Size	16.4* ϕ 28.55	mm

外形图 Outline Drawing:

Unit:mm

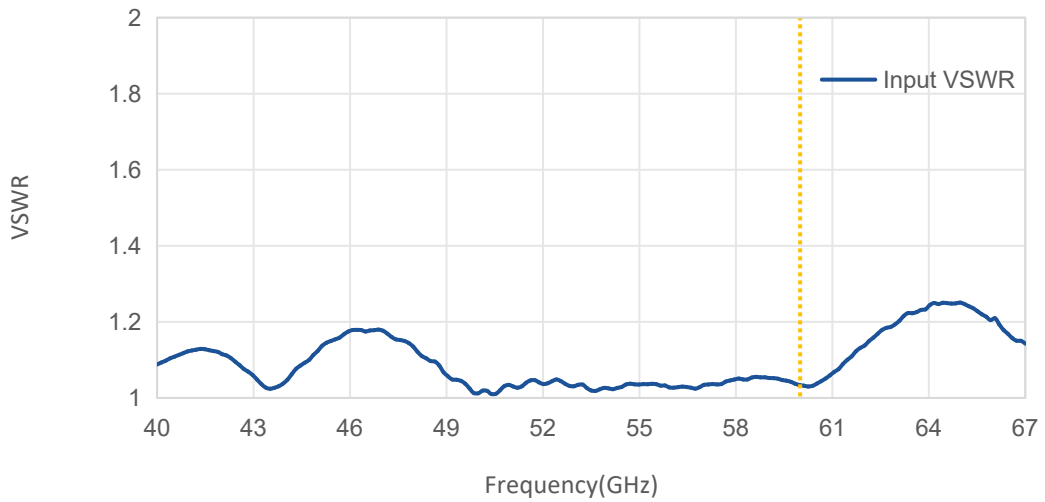


订货信息 Ordering Information:

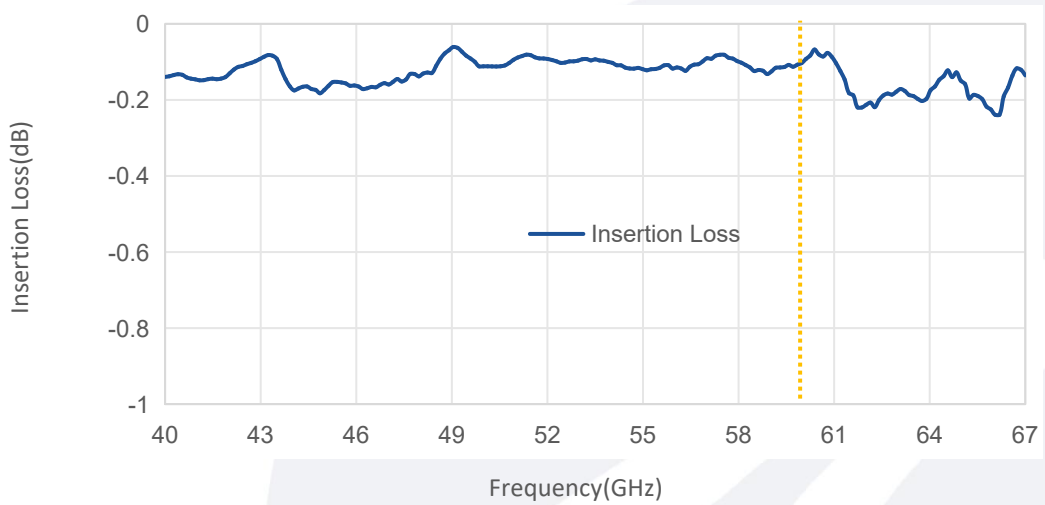
标准型号 Base Number	描述 Description	版本号 Revision
TL-19WCA1.85E	Waveguide to Coax Adapter, End Launch WR19/1.85mm Female,40-60GHz	Rev.1.1

典型曲线 Typical Performance Data:

VSWR vs Frequency



Insertion Loss vs Frequency



Note: Above data is for ref only, actual data may vary from unit to unit depending on operating environment and other factors like material lots etc.