

Waveguide to Coax Adapter, End Launch

WR-10/1.0mm Female/75-110 GHz

Model: TL-10WCA1.0E-CU

The TL-10WCA1.0E-CU is end launch waveguide to coax adapters that cover the frequency range of 75 to 110 GHz. It is designed for an efficient transition between the rectangular waveguide and 1.0 mm coax connector.

Features:

- Operating Frequency 75 to 110GHz
- Lower Insertion Loss and VSWR
- Instrumentation Grade
- DC Short Circuit

Applications:

- Test Lab
- Instrumentations
- Sub-assemblies

电气特性 Electrical Characteristics:

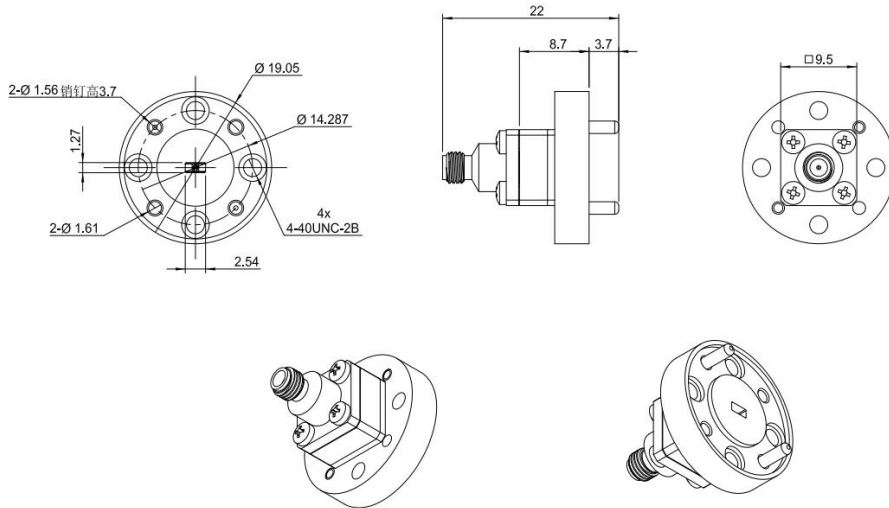
| 参数 Parameter | Min | Typ | Max | 单位 Units |
|----------------------|-----|-----|-----|----------|
| 频率范围 Frequency Range | 75 | | 110 | GHz |
| 驻波 VSWR | | | 1.5 | :1 |
| 插损 Insertion Loss | | 0.5 | | dB |
| 耐功率 Power Handling | | | 2 | W |

环境和机械特性 Environmental And Physical Characteristics:

| 类型 Description | 参数 Parameter | 单位 Units |
|---------------------|-----------------|----------|
| 材质 Material | Copper | |
| 表面处理 Finish | Gold Plated | |
| 同轴接口 Coax Connector | 1.0mm Female | |
| 波导 Waveguide | WR10/UG-387/U-M | |

外形图 Outline Drawing:

Unit:mm

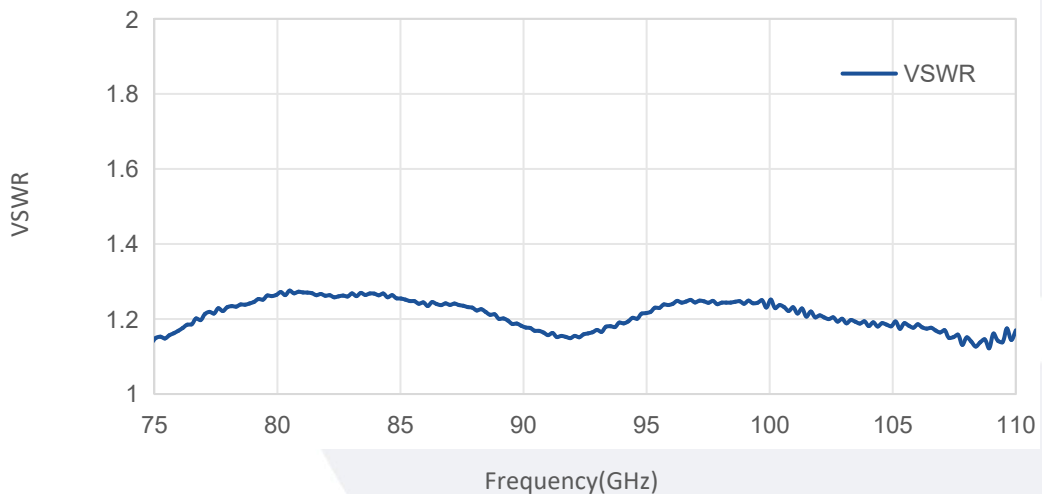


订货信息 Ordering Information:

| 标准型号 Base Number | 描述 Description | 版本号 Revision |
|------------------|--|--------------|
| TL-10WCA1.0E-CU | Waveguide to Coax Adapter, End Launch WR10/1.0mm Female,75-110GHz | Rev.1.1 |

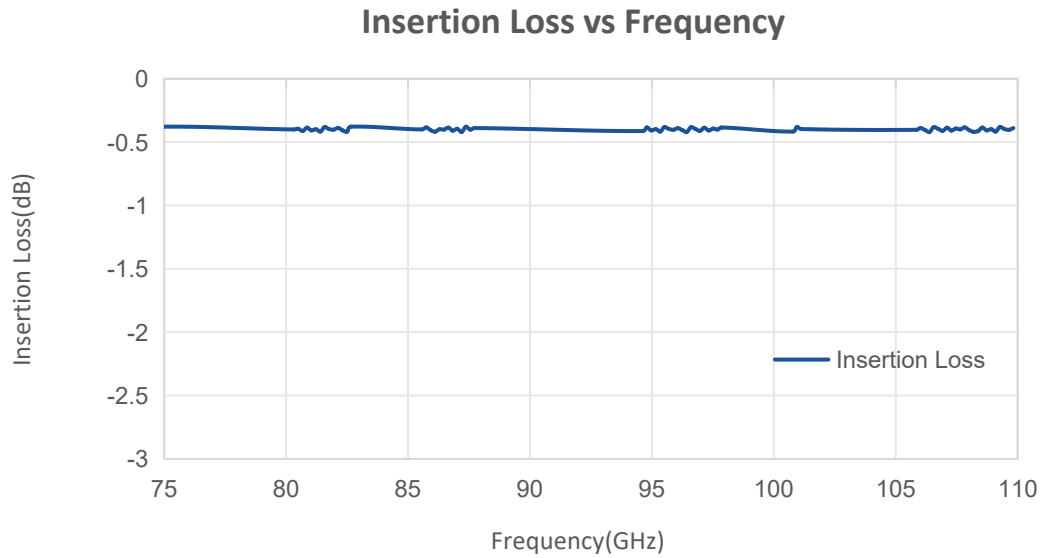
典型曲线 Typical Performance Data:

VSWR vs Frequency



Note: Above data is for ref only, actual data may vary from unit to unit depending on operating environment and other factors like material lots etc.

典型曲线 Typical Performance Data:



Note: Above data is for ref only, actual data may vary from unit to unit depending on operating environment and other factors like material lots etc.