

## Coaxial Termination

### 2-20GHz/N Male/500W

Model:RT500-XX-N

The RT500-XX-N is a well-matched, 50Ω male termination enabling operation from 2 to 20 GHz. This termination features a 500W power rating and 1.4:1 max VSWR.

#### Features:

- Operating Frequency 2 to 20 GHz
- High Return Loss
- Instrumentation Grade

#### Applications:

- laboratory test
- Communication equipment

#### 电气特性 Electrical Characteristics:

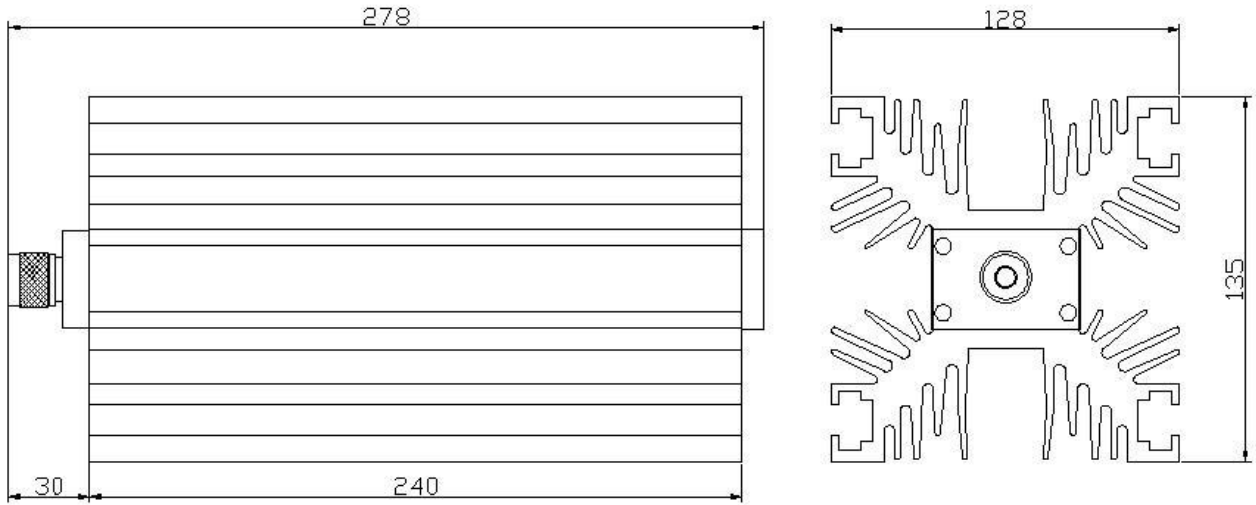
参数 Parameter	Min	Typ	Max	单位 Units
频率范围 Frequency Range	2		20	GHz
驻波 VSWR	@2-12.4GHz		1.35	:1
	@12.4-20GHz		1.4	
耐功率 Power Handling*	500 Watts Average at 25°C PEAK: 5000 Watts(5 μs pulse width, 10% duty cycle)			W
阻抗 Impedance		50		Ohms

\*Note: Average power linearly decreases to 200W when temperature rises to 125° C.

#### 环境和机械特性 Environmental And Physical Characteristics:

类型 Description	参数 Parameter	单位 Units
操作温度 Operating Temperature	-55 To +125	°C
壳体材质 Body Material	Aluminum,black	
连接器材质 Connector Material	Stainless steel	
内导体 Inner Conductor	Male:gold plated brass	
接口 Connectors	N Male	
尺寸 Size	128*135*278	mm
重量 Weight	4.8	Kg
冷却方式 Cooling Mode	Air cooling	

**外形图 Outline Drawing:** Unit:mm



**订货信息 Ordering Information:**

标准型号 Base Number	描述 Description
RT500-XX-N	"XX" means that value of frequency range can be selected from 2-20GHz,500W,N Male Coaxial Termination