

Phaseline Series High Performance Phase Stable Test Cable

PL67/1.85 Female /1.85 Female/DC-67 GHz

Model: PL67-1.85F1.85F-L

Features:

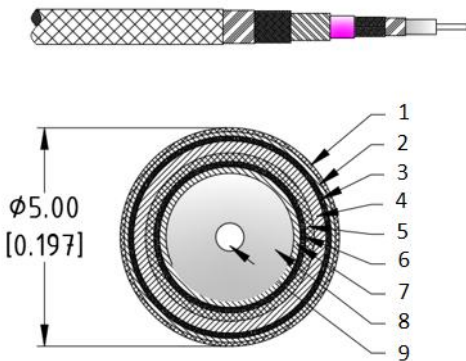
- Max Frequency 67 GHz
- VSWR max of 1.30
- Velocity of Propagation of 76%



Applications:

- Test & Measurement equipment
- Manufacturing lab
- WAN system equipment

Cable Cross Section:



- 1—编织护套 PTFE Braiding Jacket
- 2—外扎带 Outer tie
- 3—耐扭转编织层 Torsion-resistant braid
- 4—抗压保护层 Compression protective layer
- 5—电缆护套 Cable Jacket
- 6—外屏蔽层 Outer Shield
- 7—内屏蔽层 Inner Shield
- 8—绝缘介质 Insulator PTFE
- 9—芯线 Inner conductor

Electrical Characteristics:

Parameter	Min	Typ	Max	Units
Frequency Range	DC		67	GHz
VSWR		1.20	1.30	:1
Velocity of propagation		76%		
Shielding Effectiveness	90			dB
Capacitance			87	pF/m
Phase Stability Vs. Flexure@67GHz		±5		°
Amplitude Stability Vs. Flexure@67GHz		±0.04		dB

Environmental And Physical Characteristics:

Description	Parameter	Units
Cable Diameter	5.0	mm
Cable Jacket	PTFE	
Min. Bending Radius	38	mm
Typical Flex life	50000	
Operating Temperature	-55 to +150	°C
Storage Temperature	-55 to +165	°C

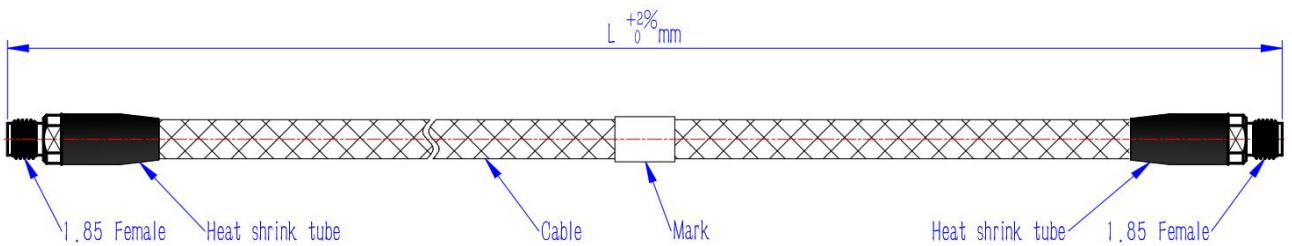
Cable Performance By Frequency

Frequency	2 GHz	4 GHz	6 GHz	8 GHz	12 GHz	16 GHz	18 GHz	26.5 GHz	40GHz	50GHz	67GHz
Insertion Loss (dB/m Max.)	1.00	1.43	1.76	2.05	2.53	2.95	3.14	3.87	4.84	5.48	6.45
RF Power CW (W Max.)	94	66	54	46	37	32	30	24	19	17	15

Connectors:

Description	Connector 1	Connector 2
Type	1.85mm Straight Female	1.85mm Straight Female
Contact Material And Plating	Beryllium Copper,Gold	Beryllium Copper,Gold
Dielectric Type	PEI	PEI
Body Material And Plating	Passivated Stainless Steel	Passivated Stainless Steel
Insertion Loss (dB Max)	$0.05 * \sqrt{f_GHz}$	$0.05 * \sqrt{f_GHz}$

Outline Drawing:



Ordering Information:

Base Number	Lenth	Armour	Phase/delay Matched (optional)
PL67-1.85F1.85F	-L	Purple black braided armor	-XXPS($\leq \pm XX$ PS) -XX°($\pm XX^\circ$)

Typical Performance Data:

Model:PL67-1.85F1.85F-1m

Frequency	2 GHz		8 GHz		12 GHz		18 GHz		26.5GHz		40GHz		50GHz		67GHz	
	Typ	Max	Typ	Max	Typ	Max	Typ	Max	Typ	Max	Typ	Max	Typ	Max	Typ	Max
Insertion Loss	1.07	1.14	2.19	2.33	2.70	2.88	3.35	3.57	4.13	4.38	5.16	5.48	5.83	6.19	6.86	7.27
VSWR	1.02	1.05	1.03	1.05	1.05	1.10	1.10	1.15	1.10	1.15	1.15	1.20	1.20	1.25	1.20	1.25

