

## Phaseline Series High Performance Phase Stable Test Cable

PL26/3.5mm Female /3.5mm Female/DC-26.5 GHz

Model: PL26-3.5F3.5F-L



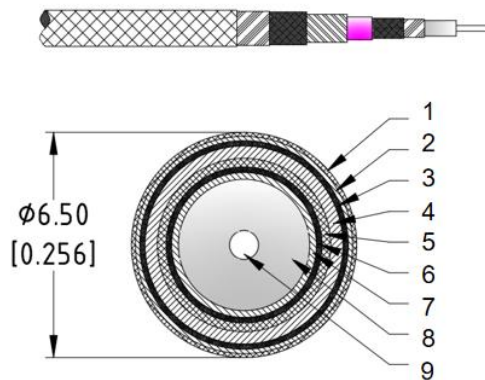
### Features:

- Max Frequency 26.5 GHz
- VSWR max of 1.30
- Velocity of Propagation of 76%

### Applications:

- Test & Measurement equipment
- Manufacturing lab
- WAN system equipment

### Cable Cross Section:



- 1—编织护套 PTFE Braiding Jacket
- 2—外扎带 Outer tie
- 3—耐扭转编织层 Torsion-resistant braid
- 4—抗压保护层 Compression protective layer
- 5—电缆护套 Cable Jacket
- 6—外屏蔽层 Outer Shield
- 7—内屏蔽层 Inner Shield
- 8—绝缘介质 Insulator PTFE
- 9—芯线 Inner conductor

### Electrical Characteristics:

Parameter	Min	Typ	Max	Units
Frequency Range	DC		26.5	GHz
VSWR		1.20	1.25	:1
Velocity of propagation		76%		
Shielding Effectiveness	90			dB
Capacitance			87	pF/m
Phase Stability Vs. Flexure@26.5GHz		±4		°
Amplitude Stability Vs. Flexure@26.5GHz		±0.03		dB
Phase Stability Vs. Temperature		1000		PPM

### Environmental And Physical Characteristics:

Description	Parameter	Units
Cable Diameter	6.5	mm
Cable Jacket	PTFE	
Min. Bending Radius	75	mm
Typical Flex life	50000	
Operating Temperature	-55 to +150	°C
Storage Temperature	-55 to +150	°C

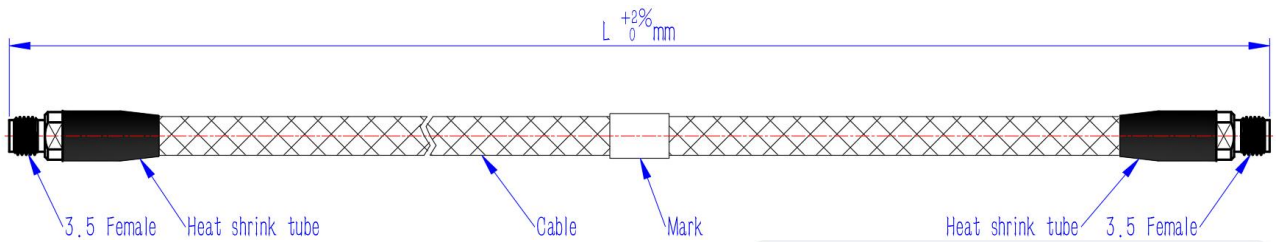
### Cable Performance By Frequency

Frequency	2 GHz	4 GHz	6 GHz	8 GHz	10 GHz	12 GHz	16 GHz	18 GHz	26.5 GHz
Insertion Loss (dB/m Max)	0.40	0.58	0.75	0.87	0.99	1.10	1.33	1.45	1.80
RF Power CW (W Max.)	431	302	245	211	190	171	147	138	112

### Connectors:

Description	Connector 1	Connector 2
Type	3.5mm Straight Female	3.5mm Straight Female
Contact Material And Plating	Beryllium Copper,Gold	Beryllium Copper,Gold
Dielectric Type	PEI	PEI
Body Material And Plating	Passivated Stainless Steel	Passivated Stainless Steel
Insertion Loss (dB Max)	$0.05 \cdot \sqrt{f_{GHz}}$	$0.05 \cdot \sqrt{f_{GHz}}$

### Outline Drawing:



### Ordering Information:

Base Number	Length (Unit meters)	Phase/delay Matched
PL26-3.5F3.5F	-L	<b>LEAVE BLANK (NOT REQUIRED)</b> -XXPS ( $\leq \pm XX$ PS) -XX° ( $\pm XX$ °)

### Typical Performance Data:

Model: PL26-3.5F3.5F-1m

Frequency	2 GHz		6 GHz		12 GHz		18 GHz		26.5 GHz	
	Typ	Max	Typ	Max	Typ	Max	Typ	Max	Typ	Max
Insertion Loss	0.40	0.47	0.70	0.82	1.00	1.17	1.23	1.44	1.51	1.77
VSWR	1.03	1.05	1.05	1.10	1.10	1.15	1.15	1.20	1.20	1.25

