

Model: TLSM-060090-08-12
**E-band Spectrum Frequency Extension Systems
 60-90 GHz, WR-12**
Feature:

- Ultra Wide Band: 60-90 GHz
- Low conversion loss
- Unconditional stability
- High performance alternative to harmonic mixers

电气特性 Electrical Specifications:

参数Parameter	Min	Typ	Max	单位Units
频率范围 Frequency range	60		90	GHz
中频输出频率 IF Output Frequency	DC		5	GHz
本振输入频率 LO Input Frequency	7.5		11.25	GHz
本振倍频次数 LO Multiplication Factor		8		
变频损耗 Mixer Conversion Loss SSB		9		dB
本振输入功率 LO Input Power	13	15	20	dBm
射频输入功率 RF Input Power		-10	0	dBm

机械特性 Mechanical Specifications:

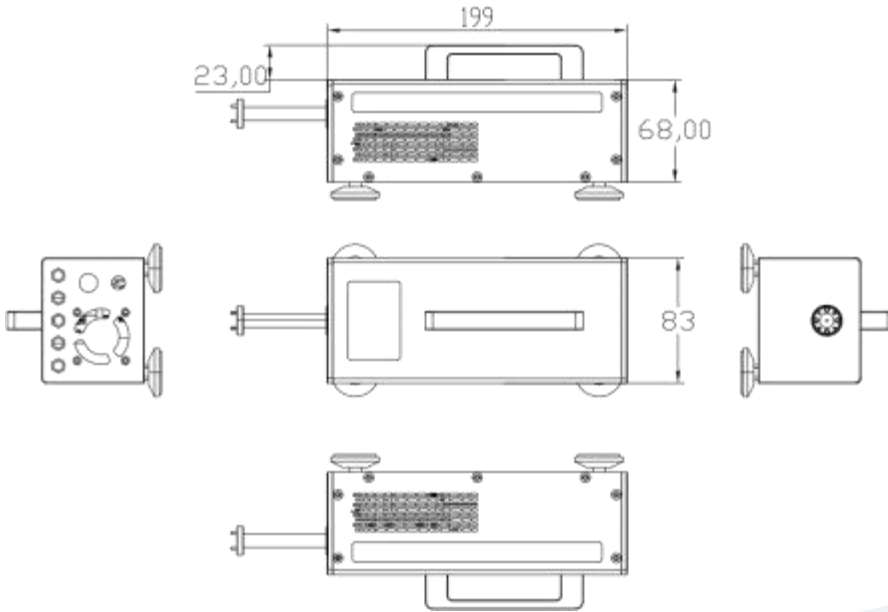
参数 Parameter	指标 Value
射频输入接口 RF Input Connector	WR-12/UG-387/U
本振/中频端口 LO/IF Port	SMA Female
本振输出接口 LO Input Connector	SMA Female
中频输出接口 IF Input Connector	SMA Female
供电引脚 Power Supply Pin	FGG 0B 4 Core
尺寸 Size	199mm*68mm*83mm

绝对最大值 Absolute Maximum Ratings:

参数 Parameter	指标 Value
供电偏置电压 Supply Bias Voltage	240 V
输入功率 RF Input Power	+10 dBm

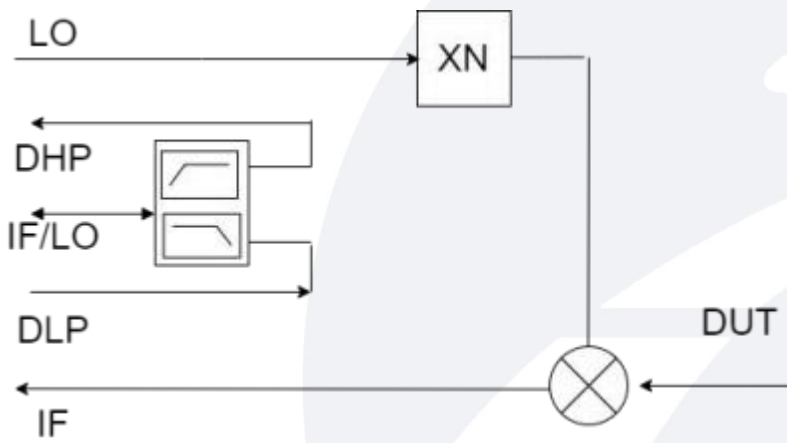
外形尺寸 Outline Drawing:

Unit: mm



TLSM-060090-08-12

原理框图 Block Diagrams:



温度环境 Environmental Conditions:

参数 Parameter	Min	Typ	Max	单位 Units
操作温度 Operating Temperature	0		+50	°C
存储温度 Non-operating Temperature	-45		+125	°C
相对湿度 Relative humidity		95		%
海拔 Altitude	50,000			feet
震动 Shock / Vibration(MIL-STD-810F)	20g,11ms,saw-tooth			
冲击 Shock(non operating)	20G for 11msc half sin wave,3 axis both directions			

订货信息 Ordering Information:

标准型号 Part Number	描述 Description	版本号Revision
TLSM-060090-08-12	E-band Spectrum Frequency Extension Systems, 60-90GHz, Mixer Conversion Loss SSB:9dB	Rev.1.1

随货配件 Components Included:

标准型号 Part Number	描述 Description	数量 Quantity
TACTDC-22012	AC to DC Power Adapter	1 PCS

Notes:

1. Dimensions and specifications may be changed without prior notice.
2. Standard Warranty:three years.