

Model:TLPA3.0G3.5G-68-68-P-BC
**Solid State High Power Amplifier Systems
 3.0-3.5GHz,Gain:68dB,Psat:68 dBm,220V AC**
Feature:

- Wide Band: 3.0-3.5GHz
- Gain: 68dB Min
- Psat Output Power:68dBm Min
- Protection:Over TEM,over voltage, over current ,over VSWR protection.
- 50 Ohm Matched Input / Output

电气特性 Electrical Specifications:

| 参数Parameter | 代码 Symbo | Min | Typ | Max | 单位Units |
|--------------------------------|-------------|------------|---------|-----|---------|
| 频率范围 Frequency range | BW | 3.0-3.5 | | | GHz |
| 功率增益 Power Gain@Pout=68dBm | SSGP | 68 | | | dB |
| 增益平坦度 Gain flatness | Δ GL | | ± 3 | | dB |
| 饱和输出功率 Output Psat | Psat | 68 | | | dBm |
| 杂散 Spurious@Pout=65dBm | Spur | | | -60 | dBc |
| 谐波 Harmonics@Pout=65dBm | HAM | | | -20 | dBc |
| 调制信号电平 Modulation Signal Level | TTL | 0 | | 5 | V |
| 调制频率 Modulation Frequency | MF | 1 | | 100 | KHz |
| 脉冲宽度 Pulse Width | T | 0.3 | | 500 | us |
| 占空比 Duty Cycle | τ | 0.1 | | 20 | % |
| 上升/下降沿 Rise/Fall Time | Tr | | 50 | 100 | ns |
| 顶降 Pulse Drop@T=100us | Pdrop | | 0.5 | 1 | dB |
| 输入驻波 Input VSWR | VSWR | | 1.5 | 2 | :1 |
| 交流电压 AC Voltage | Vac | | 220 | | V AC |
| 功耗 Power Consumption | Pdiss | 5000 | | | W |
| 工作体制 Work Mode | MOD | PULSE ONLY | | | |
| 输入信号体制 Input Signal Mode | IPS_MOD | CW/PULSE | | | |
| 阻抗 Impedance | I/O-IMP | 50 | | | Ohms |

机械特性 Mechanical Specifications:

| 参数 Parameter | 指标 Value | 单位Units |
|--------------------------------------|----------------------------|---------|
| 输入/输出接口 Input /Output Connector | SMA Female/7/16 Din Female | |
| 正向/反向耦合 Forward/Reverse Coupling | SMA Female/SMA Female | |
| 通信接口 Communication Connector | DB9/RJ-45 | |
| 液晶显示屏 Front Panel LCD Screen Display | 7 inch LCD Screen Display | |
| 相位输入接口 Pulse Input Connector | BNC Female | |

机械特性 Mechanical Specifications:

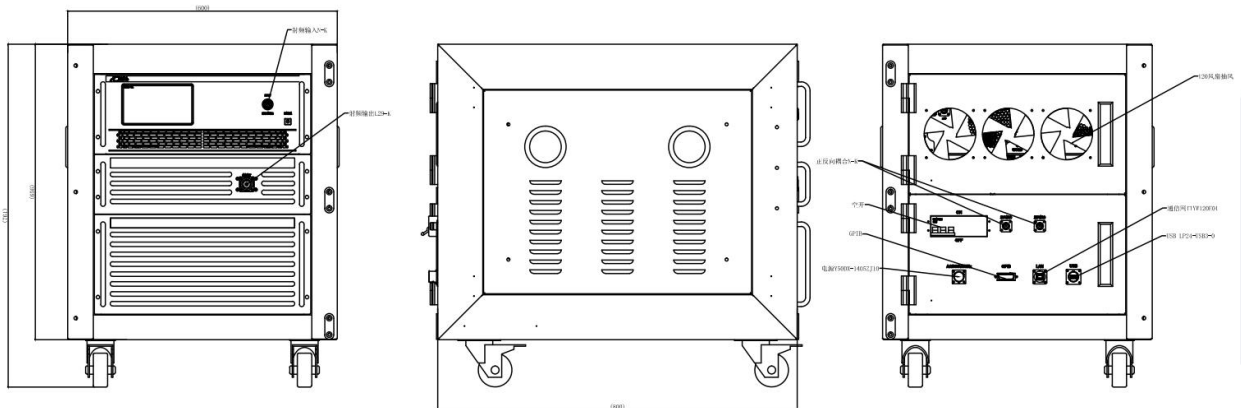
| 参数 Parameter | 指标 Value | 单位 Units |
|--------------|-----------------------|----------|
| 尺寸 Size | 19 Inch 12U*800 depth | mm |
| 重量 Weight | ≤180 | Kg |

绝对最大值 Absolute Maximum Ratings:

| 参数 Parameter | 指标 Value |
|------------------------------|----------------------|
| 输入功率 RF Input Power | 10 dBm |
| ESD灵敏度 ESD sensitivity (HBm) | Class 0, passed 150V |

外形尺寸 Outline Drawing:

Unit: mm



主要功能 Key Features:

| 参数 Parameter | 特点 Advantages |
|-----------------------------|------------------------------------------------------------------------------|
| 控制功能 Control functions | 1, Power setting On/Off 2, ALC automatic level control |
| 内置保护功能 Protection functions | 1, Over TEM 2, Over voltage 3, Over current protection 4, Over VSWR |
| 监控和控制 Remote control | RS422/Ethernet |
| 冷却系统 Cooling system | Built in Cooling system, forced air cooling |

温度环境 Environmental Conditions:

| 参数 Parameter | Min | Typ | Max | 单位 Units |
|-------------------------------------|-----------------------------------------------------|-----|-----|----------|
| 操作温度 Operating Temperature* | -20 | | +40 | °C |
| 存储温度 Non-operating Temperature* | -30 | | +50 | °C |
| 相对湿度 Relative humidity | | 95 | | % |
| 海拔 Altitude | 10000 | | | feet |
| 震动 Shock / Vibration(MIL-STD- 810F) | 25g rms (15 degree 2KHz) endurance, 1 hour per axis | | | |
| 冲击 Shock(non operating) | 20G for 11msc half sin wave,3 axis both directions | | | |

*Note: For a wider temperature range, please consult the manufacturer.

订货信息 Ordering Information:

| 标准型号 Part Number | 描述 Description | 版本号 Revision |
|-------------------------|------------------------------------------------------------------------------------------------------------|--------------|
| TLPA3.0G3.5G-68-68-P-BC | Solid State High Power Amplifier Systems 3.0-3.5GHz, Gain:68dB, Psat:68 dBm, 220V AC, Built in Fan Cooling | Rev.1.0 |