

Model:TLPA13.7G14.5G-52-52-BC-IP54-T
**Solid State High Power Amplifier Systems
 13.75-14.5GHz,Gain:52dB,Psat:52dBm,
 220V AC**
Feature:

- Ultra Wide Band: 13.75-14.5 GHz
- Gain: 52 dB Min
- Psat Output Power: 52 dBm Min
- Protection:Over TEM,over voltage, over current ,over VSWR protection.
- 50 Ohm Matched Input / Output

电气特性 Electrical Specifications:

参数Parameter	代码 Symbo	Min	Typ	Max	单位Units
频率范围 Frequency range	BW	13.75-14.5			GHz
功率增益 Power Gain	GP	52			dB
增益平坦度 Gain flatness	Δ GL		\pm 2	\pm 3	dB
增益波动 Gain fluctuation @Full TEMP range	Δ G2		\pm 3		dB
饱和输出功率 Output Psat	Psat	52			dBm
杂散 Spurious@Pout=52dBm	Spur			-60	dBc
三阶互调 Output IM3*	IM3			-25	dBc
输入驻波 Input VSWR	VSWRin			1.5	:1
输出驻波 Output VSWR	VSWRout			1.5	:1
交流电压 AC Voltage	Vac		220		V AC
功耗 Power Consumption	Pdiss	1100@Max			W
防护等级 Ingress Protection Grade*	IPG	IP-65			
阻抗 Impedance	I/O-IMP	50			Ohms

***Note:**

Two-tone interval is 5 MHz,The total power of the two-tone synthesis is 48 dBm.

The default waveguide only has waterproof gasket and no pressure window.If the pressure window is needed, consult with the manufacturer

机械特性 Mechanical Specifications:

参数 Parameter	指标 Value	单位 Units
输入/输出接口 Input /Output Connector	SMA Female/WR62	
通信接口 Communication Connector	J30J-15ZKP	
供电偏置 Supply Bias	Y50DX-1203	A1L,A2:N,A3:GND
尺寸 Size	350*271*125	mm
重量 Weight	\leq 15	Kg

绝对最大值 Absolute Maximum Ratings:

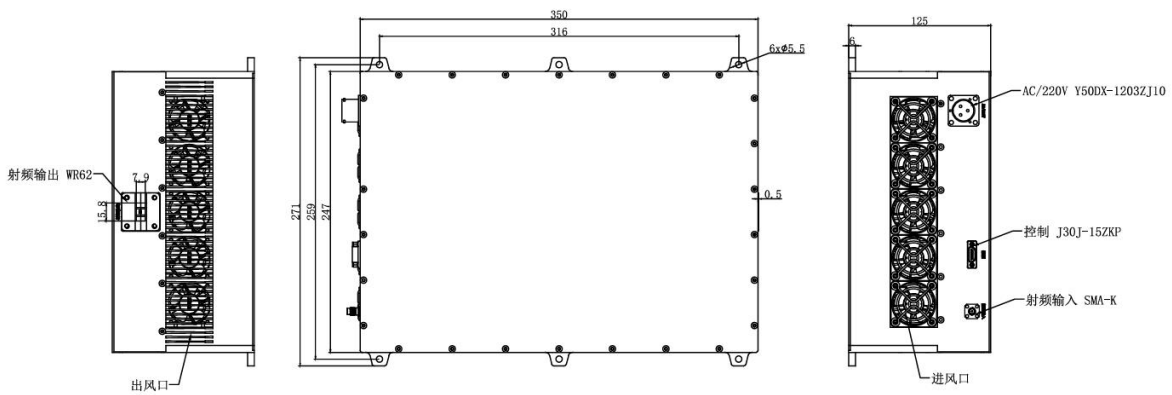
参数 Parameter	指标 Value
输入功率 RF Input Power	+5 dBm
ESD灵敏度 ESD sensitivity (HBm)	Class 0, passed 150V



Available 220V System
Benchtop Amplifier

外形尺寸 Outline Drawing:

Unit: mm



主要功能 Key Features:



OBSERVE PRECAUTIONS
ELECTROSTATIC SENSITIVE
DEVICES

参数 Parameter	特点 Advantages
内置保护功能 Protection functions	1,Over TEM 2,Over voltage 3,Over current protection 4,Over VSWR
查询参数 Query parameters	1,TEM 2,Voltage 3,Current 4,Output power and reflect power
监控和控制 Remote control	RS422
冷却系统 Cooling system	Built in Cooling system,forced air cooling

温度环境 Environmental Conditions:

参数 Parameter	Min	Typ	Max	单位 Units
操作温度 Operating Temperature*	-20		+40	°C
存储温度 Non-operating Temperature*	-30		+50	°C
相对湿度 Relative humidity		95		%
海拔 Altitude	10,000			feet
震动 Shock / Vibration(MIL-STD-810F)	20g,11ms,saw-tooth			
冲击 Shock(non operating)	20G for 11msc half sin wave,3 axis both directions			

*Note: For a wider temperature range, please consult the manufacturer.

订货信息 Ordering Information:

标准型号 Part Number	描述 Description	版本号 Revision
TLPA13.7G14.5G-52-52-BC-IP54-T	Solid State High Power Amplifier Systems 13.75-14.5GHz, Gain:52dB, Psat:52 dBm, 220V AC, Built in Fan Cooling	Rev.1.1