

## SP3T , Terminated , Coaxial Switches

R13-SL12T18-DT, Coaxial Switches, 1P3T, SMA, Latching, 12VDC, TTL, DC to 18 GHz, DSUB-15, Terminated

R13-SL24T18-DT, Coaxial Switches, 1P3T, SMA, Latching, 24VDC, TTL, DC to 18 GHz, DSUB-15, Terminated

R13-SL28T18-DT, Coaxial Switches, 1P3T, SMA, Latching, 28VDC, TTL, DC to 18 GHz, DSUB-15, Terminated

### 电气参数 Electrical Characteristics:

| 参数 Parameter                    | 条件 Condition              |
|---------------------------------|---------------------------|
| 频率范围 Frequency range            | DC-18 GHz                 |
| 阻抗 Impedance                    | 50 Ω                      |
| 开关模式 Operation mode             | Latching                  |
| 开关顺序 Switch sequence            | Break before make         |
| 切换时间 Switching time             | 15 ms max                 |
| 机械寿命 Mechanical life            | 1 million min             |
| TTL input                       | 0-0.8 V(OFF), 2.4-5 V(ON) |
| 负载功率 Termination power CW       | 0.5W                      |
| 额定电压 Rated voltage              | 12 24 28 VDC              |
| 工作电流 Operating current at 23 °C | 350 180 160 mA            |



### 射频特性 RF Specifications:

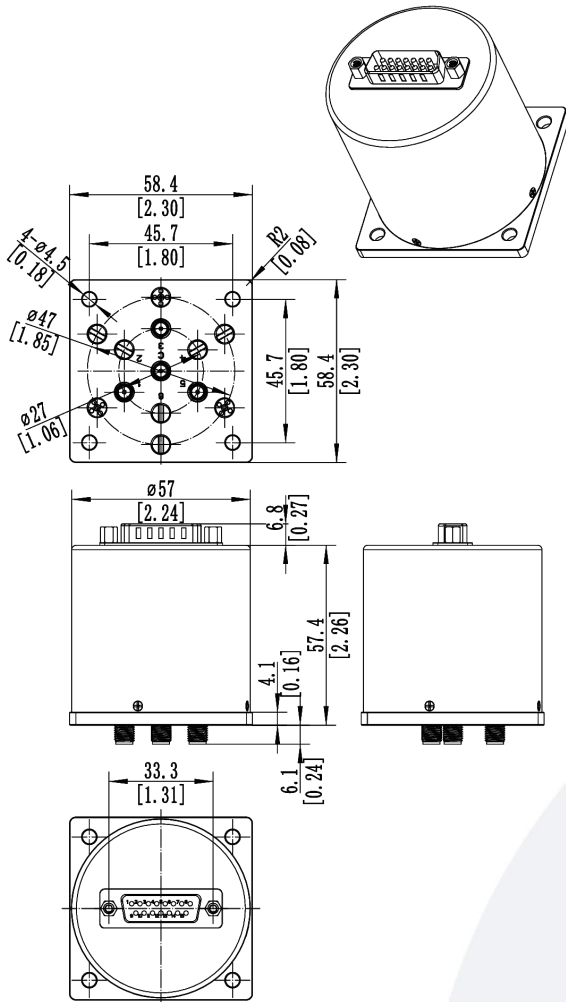
| 频率范围 FREQUENCY RANGE(GHz)    | DC-6  | 6-12  | 12-18 |
|------------------------------|-------|-------|-------|
| 插入损耗 INSERTION LOSS (MAX) dB | 0.3   | 0.4   | 0.5   |
| 隔离度 ISOLATION (MIN) dB       | 80    | 70    | 60    |
| 电压驻波比 V.S.W.R. (MAX)         | 1.3:1 | 1.4:1 | 1.5:1 |

### 环境和物理特性 Environmental And Physical Characteristics:

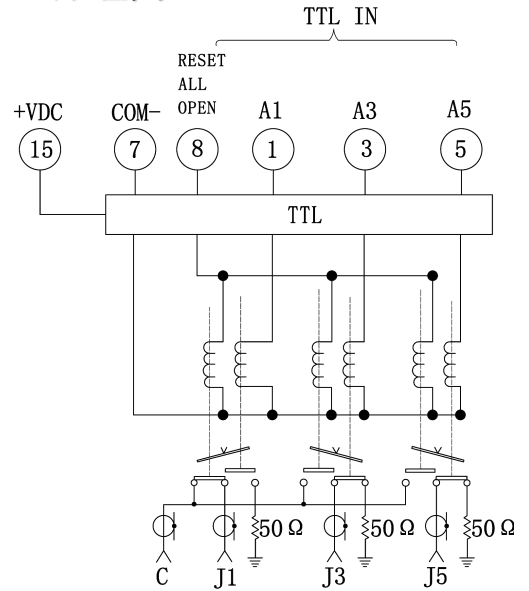
| 参数 Parameter                       | 条件 Condition  |
|------------------------------------|---|
| 工作温度范围 Operating temperature range | -25°C to +65°C(Standard )<br>-55°C to +85°C(Optional) |
| 振动 Sine vibration(Operating)       | 20-2000Hz , 10G RMS                                   |
| 冲击 Shocks(Non Operating)           | 50g / 11msec, ½ sine                                  |
| 射频接口 RF Connector type             | SMA Female  |
| 控制接口 Control connector             | D-SUB 15Pin male                                      |
| 重量 Weight                          | 240g Max  |
| 外壳颜色 Housing Color                 | 黑色 Black  |

备注：如果客户需要其他外壳颜色，请联系业务备注

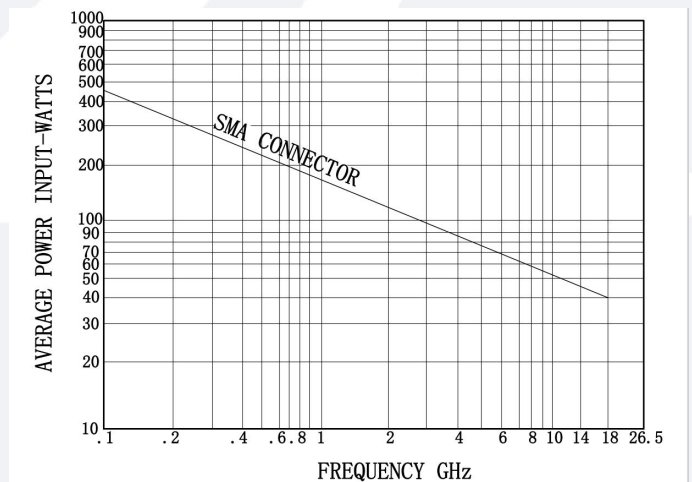
外形尺寸 Outline Drawing: Unit: mm



原理图 Schematic:

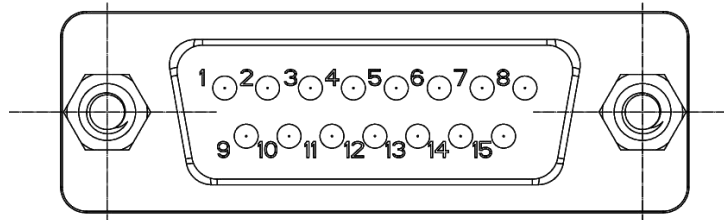


功率曲线图 Average power:



This graph is based on the following conditions:

- Ambient temperature: + 25 °C
- Sea level
- V.S.W.R.: 1 and cold switching

**引脚定义 Pin Definition:**


| 15 PIN D-SUB |                             | RF Connect Used |
|--------------|-----------------------------|-----------------|
| Pin NO.      | Function                    | SP3T            |
| 1            | A1(TTL IN)                  | 1               |
| 2            | UNUSED                      |                 |
| 3            | A3(TTL IN)                  | 3               |
| 4            | UNUSED                      |                 |
| 5            | A5(TTL IN)                  | 5               |
| 6            | UNUSED                      |                 |
| 7            | COM-                        |                 |
| 8            | A(TTL IN)<br>RESET ALL OPEN |                 |
| 15           | +VDC                        |                 |
| 8-14         | UNUSED                      |                 |

**标准型号 Part Number:**

| 标准型号 Part Number | 额定电压<br>Rated Voltage | 可选项 Option         |
|------------------|-----------------------|--------------------|
| 1P3T             |                       |                    |
| R13-SL12T18-DT   | 12VDC                 | -S                 |
| R13-SL24T18-DT   | 24VDC                 | 例如:R13-SL12T18-DTS |
| R13-SL28T18-DT   | 28VDC                 | (备注, S型号满足IP65)    |

典型曲线 Typical Performance Data:

