

1P8T , Terminated , Coaxial Switches

R18-SL12018-DT , Coaxial Switches , 1P8T, SMA , Latching , 12VDC , DC to 18 GHz , DSUB-15 , Terminated

R18-SL24018-DT , Coaxial Switches , 1P8T, SMA , Latching , 24VDC , DC to 18 GHz , DSUB-15 , Terminated

R18-SL28018-DT , Coaxial Switches , 1P8T, SMA , Latching , 28VDC , DC to 18 GHz , DSUB-15 , Terminated

电气参数 Electrical Characteristics:

参数Parameter	条件Condition
频率范围 Frequency range	DC-18GHz
阻抗 Impedance	50 Ω
开关模式 Operation mode	Latching
开关顺序 Switch sequence	Break before make
切换时间 Switching time	15 ms max
机械寿命 Mechanical life	1 million min
负载功率 Termination power CW	0.5W
额定电压 Rated voltage	12 24 28 VDC
工作电流 Operating current at 23 °C	290 150 120 mA



射频特性 RF Specifications:

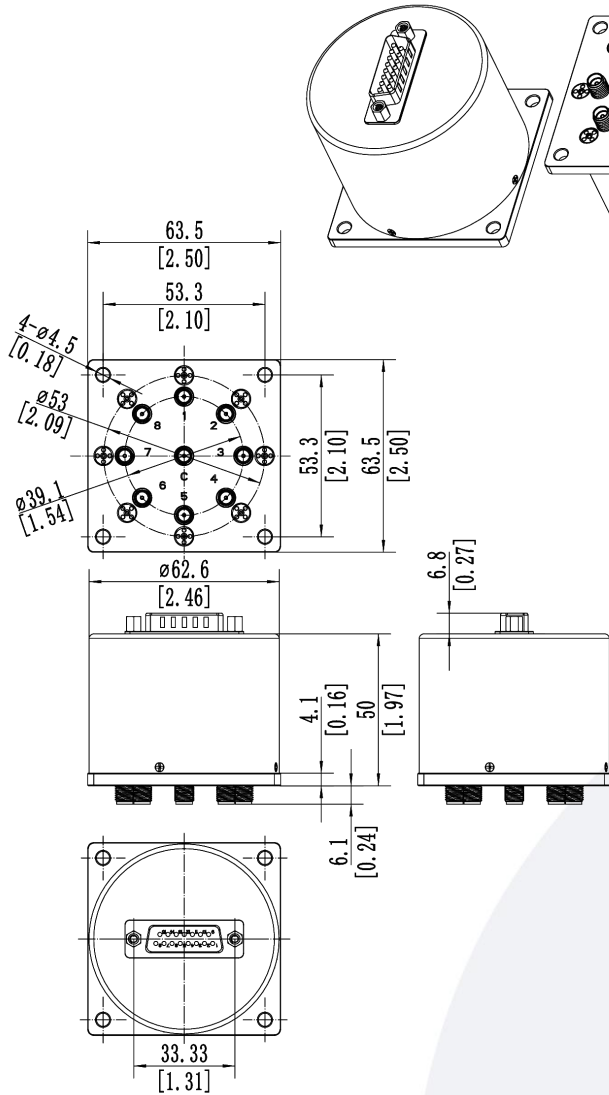
频率范围 FREQUENCY RANGE(GHz)	DC-6	6-12	12-18
插入损耗 INSERTION LOSS (MAX) dB	0.3	0.4	0.5
隔离度 ISOLATION (MIN) dB	80	70	60
电压驻波比 V.S.W.R. (MAX)	1.3:1	1.4:1	1.5:1

环境和物理特性 Environmental And Physical Characteristics:

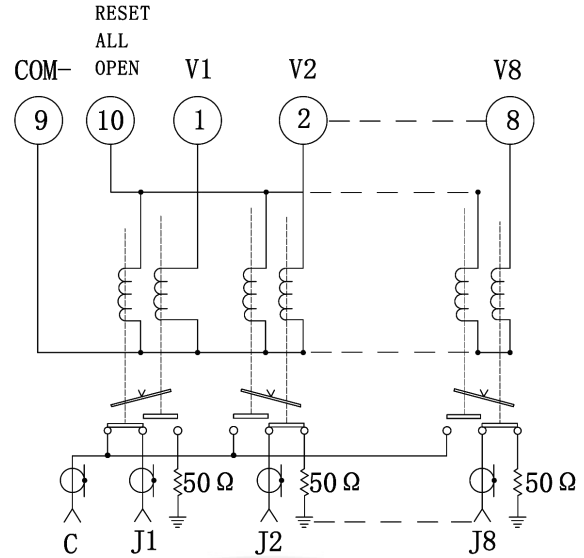
参数Parameter	条件 Condition
工作温度范围 Operating temperature range	-25°C to +65°C(Standard) -55°C to +85°C(Optional)
振动 Sine vibration(Operating)	20-2000Hz , 10g
冲击 Shocks(Non Operating)	50g / 11ms, ½ sine
射频接口 RF Connector type	SMA Female
控制接口 Control connector	D-SUB 15Pin Male
重量 Weight	285g Max
外壳颜色 Housing Color	浅蓝色 Light Blue

备注：如果客户需要其他外壳颜色，请联系业务备注

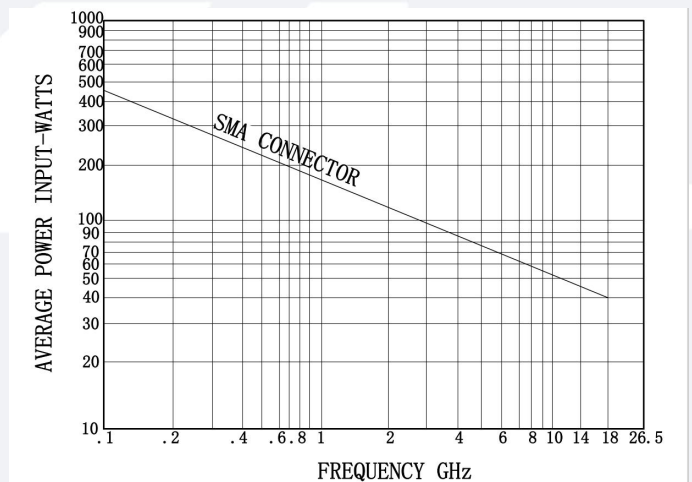
外形尺寸 Outline Drawing: Unit: mm



原理图 Schematic:



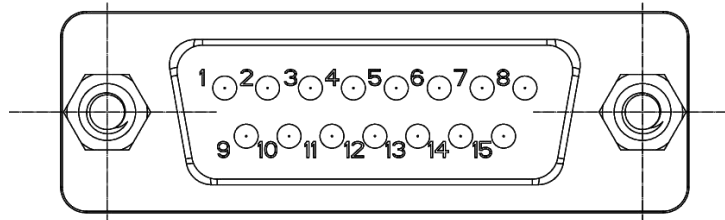
功率曲线图 Average power:



This graph is based on the following conditions:

- Ambient temperature: + 25 °C
- Sea level
- V.S.W.R.: 1 and cold switching

针脚定义 Pin Definition:



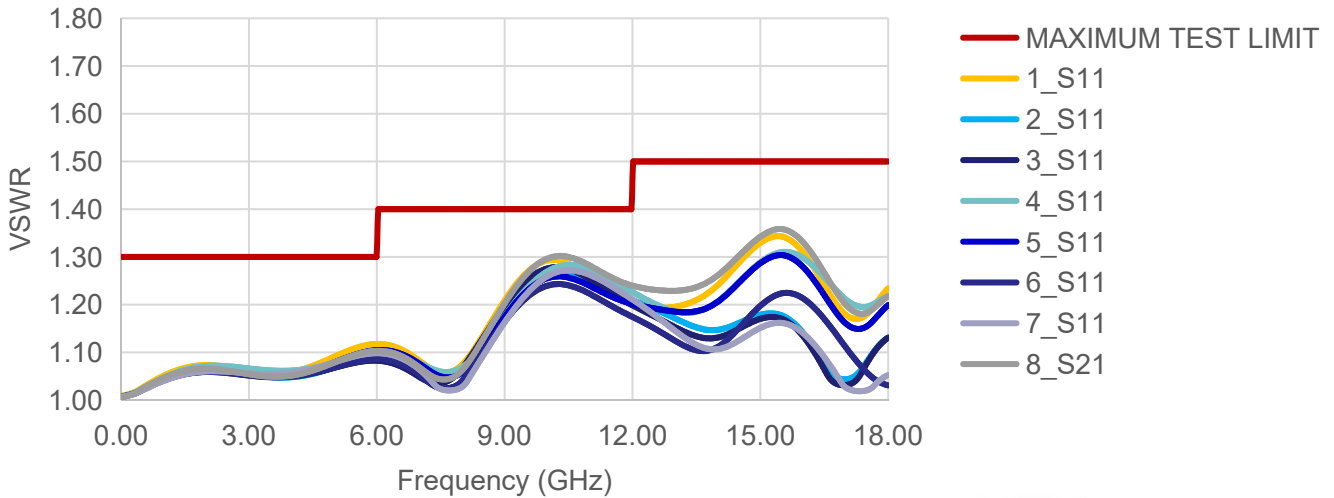
15PIN D-SUB		RF Connect Used
Pin NO.	Function	SP8T
1	V1	1
2	V2	2
3	V3	3
4	V4	4
5	V5	5
6	V6	6
7	V7	7
8	V8	8
9	COM-	
10	+ Δ VDC RESET ALL OPEN	
11-15	UNUSED	

标准型号 Part Number:

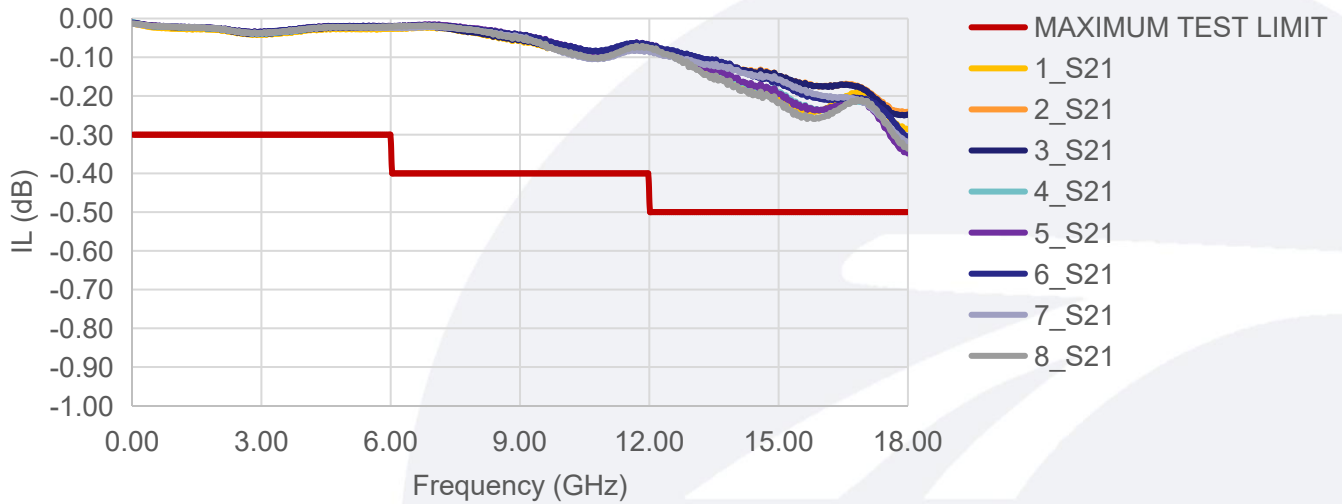
标准型号 Part Number	额定电压 Rated Voltage	可选项 Option
1P8T		
R18-SL12018-DT	12VDC	-S 例如:R18-SL12018-DTS (备注, S型号满足IP65)
R18-SL24018-DT	24VDC	
R18-SL28018-DT	28VDC	

典型曲线 Typical Performance Data:

VSWR



INSERTION LOSS



ISOLATION

