

## 1P6T , Terminated , Coaxial Switches

R16-SN12T18-DT, Coaxial Switches , 1P6T , SMA , Normally Open , 12VDC , TTL , DC to 18 GHz , DSUB-15 , Terminated

R16-SN24T18-DT, Coaxial Switches , 1P6T , SMA , Normally Open , 24VDC , TTL , DC to 18 GHz , DSUB-15 , Terminated

R16-SN28T18-DT, Coaxial Switches , 1P6T , SMA , Normally Open , 28VDC , TTL , DC to 18 GHz , DSUB-15 , Terminated

### 电气参数 Electrical Characteristics:

参数 Parameter	条件 Condition
频率范围 Frequency range	DC-18 GHz
阻抗 Impedance	50 Ω
开关模式 Operation mode	Normally Open
开关顺序 Switch sequence	Break before make
切换时间 Switching time	15 ms max
机械寿命 Mechanical life	1 million min
TTL input	0-0.8 V(OFF), 2.4-5 V(ON)
负载功率 Termination power CW	0.5W
额定电压 Rated voltage	12 24 28 VDC
工作电流 Operating current at 23 °C	300 167 160 mA



### 射频特性 RF Specifications:

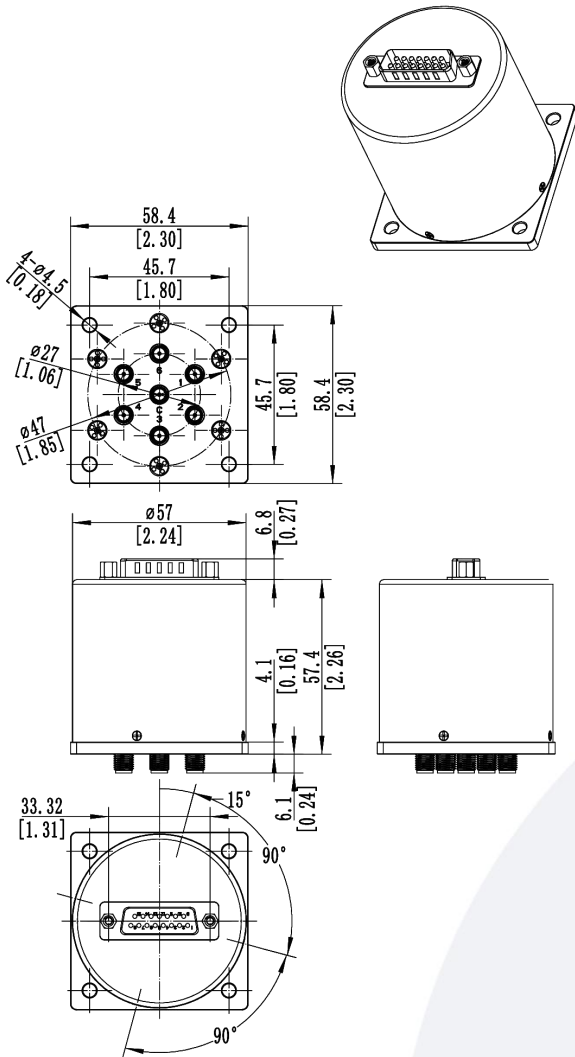
频率范围 FREQUENCY RANGE(GHz)	DC-6	6-12	12-18
插入损耗 INSERTION LOSS (MAX) dB	0.3	0.4	0.5
隔离度 ISOLATION (MIN) dB	80	70	60
电压驻波比 V.S.W.R. (MAX)	1.3:1	1.4:1	1.5:1

### 环境和物理特性 Environmental And Physical Characteristics:

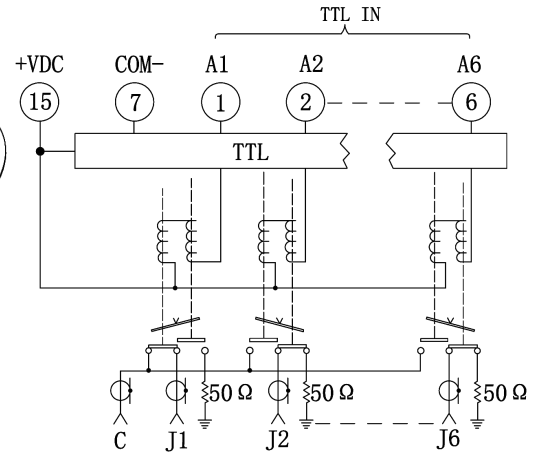
参数 Parameter	条件 Condition
工作温度范围 Operating temperature range	-25°C to +65°C(Standard ) -55°C to +85°C(Optional)
振动 Sine vibration(Operating)	20-2000Hz , 10G RMS
冲击 Shocks(Non Operating)	50g / 11msec, ½ sine
射频接口 RF Connector type	SMA Female
控制接口 Control connector	D-SUB 15Pin male
重量 Weight	240g Max
外壳颜色 Housing Color	黑色 Black

备注: 如果客户需要其他外壳颜色, 请联系业务备注

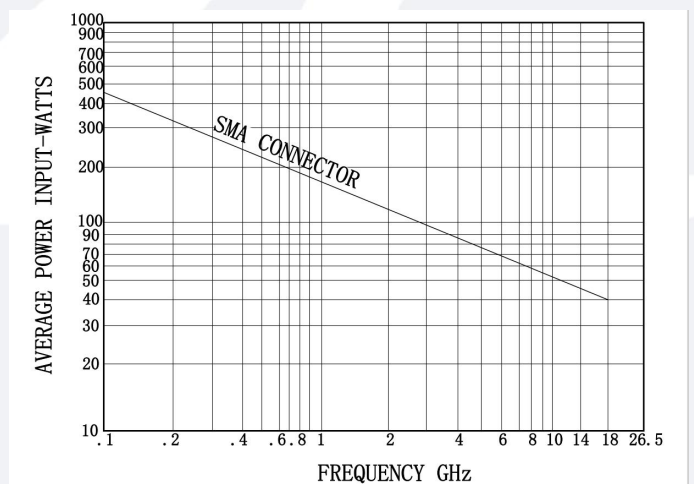
**外形尺寸 Outline Drawing:** Unit: mm



**原理图 Schematic:**



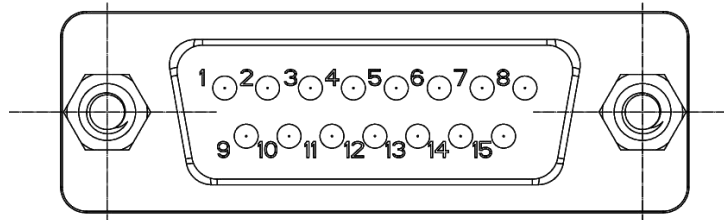
**功率曲线图 Average power:**



This graph is based on the following conditions:

- Ambient temperature: + 25 °C
- Sea level
- V.S.W.R.: 1 and cold switching

### 引脚定义 Pin Definition:



15 PIN D-SUB		RF Connect Used
Pin NO.	Function	SP6T
1	A1 (TTL IN)	1
2	A2 (TTL IN)	2
3	A3 (TTL IN)	3
4	A4 (TTL IN)	4
5	A5 (TTL IN)	5
6	A6 (TTL IN)	6
7	COM-	
15	+VDC	
8-14	UNUSED	

### 标准型号 Part Number:

标准型号 Part Number	额定电压 Rated Voltage	可选项 Option
1P6T		
R16-SN12T18-DT	12VDC	-S
R16-SN24T18-DT	24VDC	例如:R16-SN12T18-DTS
R16-SN28T18-DT	28VDC	(备注, S型号满足IP65)

**典型曲线 Typical Performance Data:**

