

Model: TMPA-075110-3020-10
Power Amplifier
75-110 GHz, Gain:30 dB,Psat:20 dBm
Feature:

- Frequency Range:75-110 GHz
- Gain:30 dB Min
- Output Power Psat:20 dBm Min
- Good Power and Gain Flatness

电气特性 Electrical Specifications:

参数Parameter	Min	Typ	Max	单位Units
频率范围 Frequency range	75-110			GHz
增益 Gain	30	31		dB
饱和输出功率 Output Psat	20	21		dBm
输入驻波 Input VSWR		1.6		:1
输出驻波 Output VSWR		2.0		:1
直流电压 DC Voltage		12		V DC
直流电流 DC Supply Current		600		mA

机械特性 Mechanical Specifications:

参数Parameter	指标 Value	单位Units
输入输出接口Input /Output Connector	WR-10/UG-387/U	
直流偏置 DC Bias	Solder Pin	
尺寸 Size	50*50*20(With Heatsink)	mm
重量 Weight	/	g

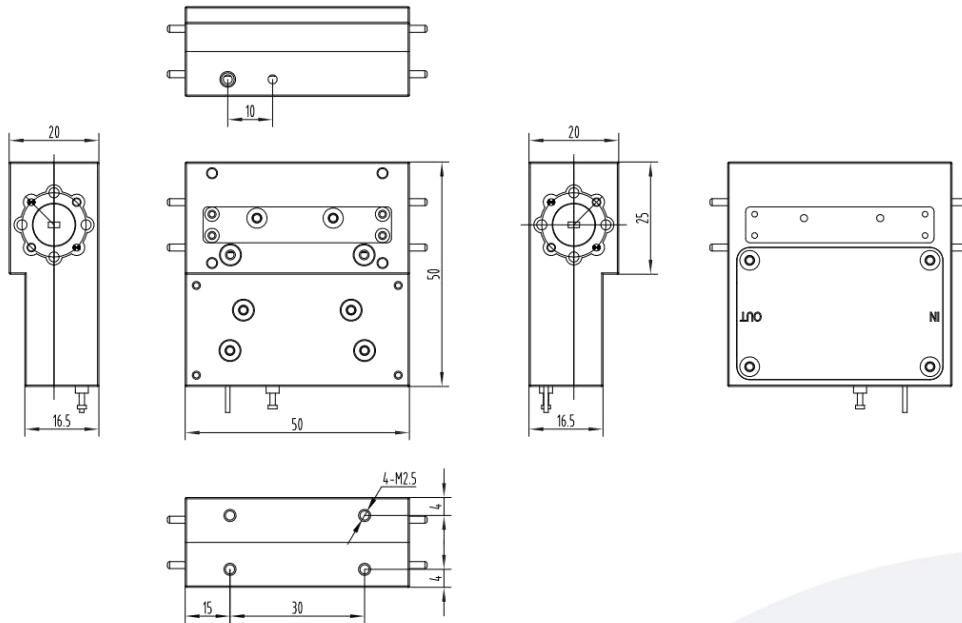
绝对最大值 Absolute Maximum Ratings:

参数Parameter	指标 Value
供电偏置电压 Supply Bias Voltage	+15V
输入功率 RF Input Power	TBD
ESD灵敏度 ESD sensitivity (HBm)	Class 0, passed 150V


**Available 220V System
Benchtop Amplifier**

外形尺寸 Outline Drawing:

Unit: mm



温度环境 Environmental Conditions:



OBSERVE PRECAUTIONS
ELECTROSTATIC SENSITIVE
DEVICES

参数 Parameter	Min	Typ	Max	单位 Units
操作温度 Operating Temperature	-10		+65	°C
存储温度 Non-operating Temperature	-55		+125	°C
相对湿度 Relative humidity		95		%
海拔 Altitude	50,000			feet
震动 Shock / Vibration(MIL-STD-810F)	25g rms (15 degree 2KHz) endurance, 1 hour per axis			
冲击 Shock(non operating)	20G for 11msc half sin wave, 3 axis both directions			

订货信息 Ordering Information:

标准型号 Part Number	描述 Description	版本号 Revision
TMPA-075110-3020-10	Power Amplifier, 75-110 GHz, Gain:30 dB Min, Psat:20 dBm Min, 12V DC, WR-10	Rev.1.1