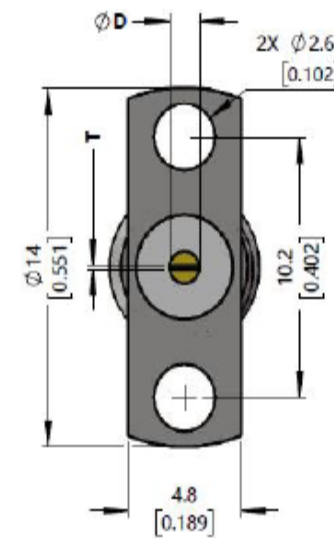


Flat needle direction①



Flat needle direction②

Electrical & Environmental Characteristics	
Impedance	50 $\Omega$
Insulation Resistance	5000 M $\Omega$
Operating Frequency	DC~26.5GHz
Dielectric Withstanding Voltage	1000V
VSWR	$\leq 1.15$
Insertion Loss	$\leq 0.05 * \text{Sqt}(f\_GHz)$
Operating Temperature	- 55~+165 $^{\circ}C$
Material & Coat-Plating	
Inner Conductor	Beryllium Copper, Gold
Dielectric	PTFE
Body	Stainless Steel, Passivated
Coupling Nut	N/A

No.	Model	D(Diameter)	L(Length)	T(Thickness)	
1	SMA-KFD40514	1.27 [0.050]	1.27 [0.050]	0.15 [0.006]	①
2	SMA-KFD405C14	1.27 [0.025]	1.27 [0.050]	0.15 [0.006]	②
3	SMA-KFD40514-098	1.27 [0.025]	2.50 [0.098]	0.13 [0.005]	①
4	SMA-KFD405C14-098	1.27 [0.025]	2.50 [0.098]	0.13 [0.005]	②

THIS DRAWING IS A CONTROLLED DOCUMENT		DWN	Suzhou Talent Microwave, Inc		
		CHK			
Unit mm	TOLERANCES UNLESS OTHERWISE SPECIFIED 0 PLC $\pm 0.25$ 1 PLC $\pm 0.15$ 2 PLC $\pm 0.12$ 3 PLC $\pm$ 3 PLC $\pm$ ANGLES $\pm 1^{\circ}$	APVD	Product Model		
		PRODUCT SPEC	SMA-KFD40514-098 SMA Female Flange Connector		
MATEIAL SEE TABLE	FINISH SEE TABLE	APPLICATON SPEC	SIZE A4	GAGE CODE 0T8L4	DRAWING NO
		CUSTOMER DRAWING			SHEET 1 OF 1