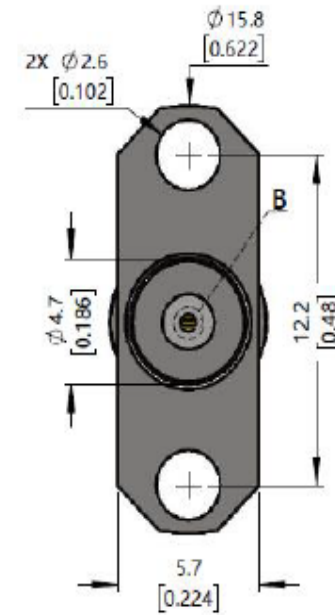


DETAIL B(20:1)



No.	Model	D(Diameter)	L(Length)	T(Thickness)
1	SMA-KFD404C11	0.64 [0.025]	4 [0.157]	0.2 [0.008]
2	SMA-KFD404C11-04	0.64 [0.025]	1 [0.039]	0.2 [0.008]
3	SMA-KFD404C11-787	0.64 [0.025]	2 [0.079]	0.2 [0.008]
4	SMA-KFD404C11-2M	0.64 [0.025]	6 [0.236]	0.2 [0.008]

Electrical & Environmental Characteristics

Impedance	50 Ω
Insulation Resistance	5000 MΩ
Operating Frequency	DC~26.5GHz
Dielectric Withstanding Voltage	1000V
VSWR	≤1.15
Insertion Loss	≤0.05* $\sqrt{f_GHz}$
Operating Temperature	- 55~+165℃

Material & Coat-Plating

Inner Conductor	Beryllium Copper, Gold
Dielectric	PTFE
Body	Stainless Steel, Passivated
Coupling Nut	N/A

THIS DRAWING IS A CONTROLLED DOCUMENT

DWN
CHK

Suzhou Talent Microwave, Inc

Unit
mm

TOLERANCES
UNLESS
OTHERWISE
SPECIFIED
0 PLC ±0.25
1 PLC ±0.15
2 PLC ±0.12
3 PLC ±
3 PLC ±
ANGLES ±1°

APVD
PRODUCT
SPEC
APPLICATION
SPEC

Product Model

SMA-KFD404C11-787
SMA Female Flange Connector

MATEIAL
SEE TABLE

FINISH
SEE TABLE

WEIGHT

SIZE
A4

GAGE CODE
0T8L4

DRAWING NO

CUSTOMER DRAWING

SHEET1 OF 1

RVE 1