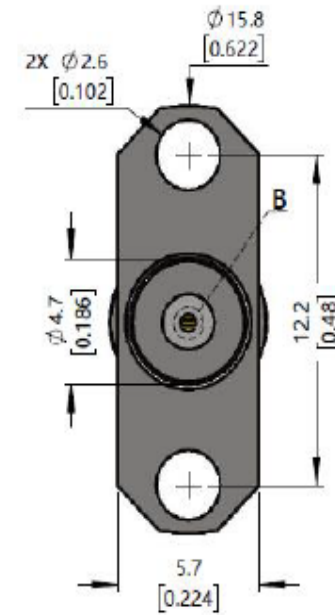


DETAIL B(20:1)



| No. | Model | D(Diameter) | L(Length) | T(Thickness) |
|-----|-------------------|--------------|-----------|--------------|
| 1 | SMA-KFD404C11 | 0.64 [0.025] | 4 [0.157] | 0.2 [0.008] |
| 2 | SMA-KFD404C11-04 | 0.64 [0.025] | 1 [0.039] | 0.2 [0.008] |
| 3 | SMA-KFD404C11-787 | 0.64 [0.025] | 2 [0.079] | 0.2 [0.008] |
| 4 | SMA-KFD404C11-2M | 0.64 [0.025] | 6 [0.236] | 0.2 [0.008] |

Electrical & Environmental Characteristics

| | |
|---------------------------------|------------------------|
| Impedance | 50 Ω |
| Insulation Resistance | 5000 MΩ |
| Operating Frequency | DC~26.5GHz |
| Dielectric Withstanding Voltage | 1000V |
| VSWR | ≤1.15 |
| Insertion Loss | ≤0.05* $\sqrt{f_GHz}$ |
| Operating Temperature | - 55~+165℃ |

Material & Coat-Plating

| | |
|-----------------|-----------------------------|
| Inner Conductor | Beryllium Copper, Gold |
| Dielectric | PTFE |
| Body | Stainless Steel, Passivated |
| Coupling Nut | N/A |

| | | | | | |
|---------------------------------------|--|------------------|---|-----------------|-------------|
| THIS DRAWING IS A CONTROLLED DOCUMENT | | DWN | Suzhou Talent Microwave, Inc | | |
| | | CHK | | | |
| Unit mm | TOLERANCES UNLESS OTHERWISE SPECIFIED 0 PLC ±0.25 1 PLC ±0.15 2 PLC ±0.12 3 PLC ± 3 PLC ± ANGLES ±1° | APVD | Product Model | | |
| | | PRODUCT SPEC | SMA-KFD404C11-04 SMA Female Flange Connector | | |
| | | APPLICATION SPEC | SIZE A4 | GAGE CODE OT8L4 | DRAWING NO |
| MATEIAL SEE TABLE | FINISH SEE TABLE | WEIGHT | CUSTOMER DRAWING | | SHEET1 OF 1 |
| | | | | | RVE 1 |