

## UF Series Ultra-Flexible Cable Assembly

UF3/SMA Female/N Female/DC-18 GHz

Model: UF3-SMAFNF-L

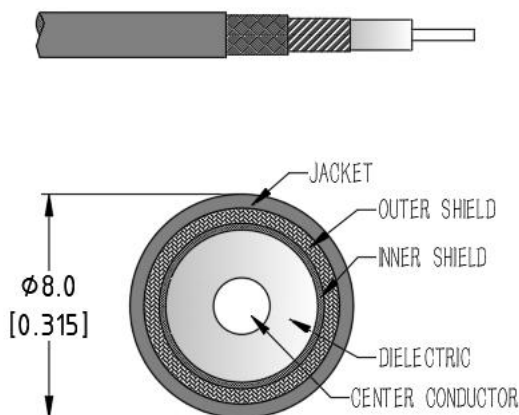
### Features:

- Max Frequency 18 GHz
- VSWR max of 1.30
- Velocity of Propagation of 76%

### Applications:

- Test & Measurement equipment
- Manufacturing lab
- WAN system equipment

### Cable Cross Section:



### Electrical Characteristics:

Parameter	Min	Typ	Max	Units
Frequency Range	DC		18	GHz
VSWR		1.25	1.3	:1
Velocity of propagation		76%		
Shielding Effectiveness	90			dB
Capacitance			81	pF/m
Phase Stability Vs. Flexure@18GHz		$\pm 3$		$^{\circ}$
Amplitude Stability Vs. Flexure@18GHz		$\pm 0.05$		dB
Phase Stability Vs. Temperature			1000	PPM

### Environmental And Physical Characteristics:

Description	Parameter	Units
Cable Diameter	8.0	mm
Cable Jacket	PUR	
Min. Bending Radius	32	mm
Typical Flex life	50000	
Operating Temperature	-55 to +85	$^{\circ}\text{C}$
Storage Temperature	-55 to +85	$^{\circ}\text{C}$

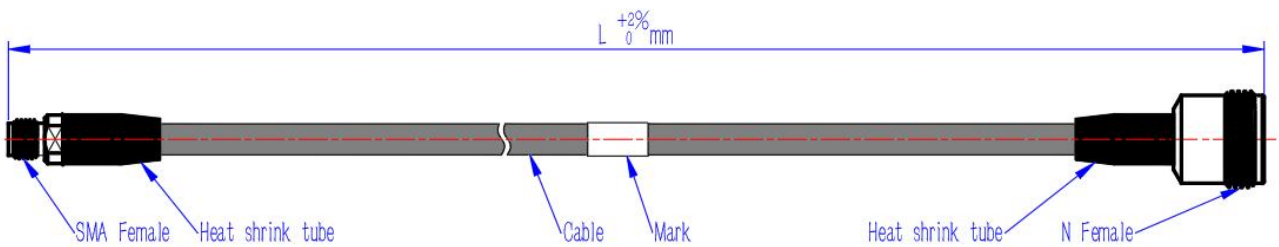
### Cable Performance By Frequency:

Frequency	2 GHz	4 GHz	6 GHz	8 GHz	10 GHz	12 GHz	16 GHz	18 GHz
Insertion Loss (dB/m Max.)	0.27	0.40	0.51	0.61	0.70	0.78	0.94	1.02
RF Power CW (W Max.)	967	647	508	426	370	330	274	254

### Connectors:

Description	Connector 1	Connector 2
Type	SMA Straight Female	N Straight Female
Contact Material And Plating	Beryllium Copper, Gold	Beryllium Copper, Gold
Dielectric Type	PTFE	PTFE
Body Material And Plating	Passivated Stainless Steel	Passivated Stainless Steel
Insertion Loss (dB Max)	$0.05 * \sqrt{f_{GHz}}$	$0.05 * \sqrt{f_{GHz}}$

### Outline Drawing:



### Ordering Information:

Base Number	Lenth	Armour (optional)	Phase/delay Matched (optional)
UF3-SMAFNF	-L	-A(Black nylon woven armor)	
		-AP(PUR water proof armor)	 -XXPS( $\leq \pm XX$ PS)
		-AS(Stainless steel armor)	 -XX°( $\pm XX$ °)
		-AT(Transparent armor)	

**Typical Performance Data:**

**Model:UF3-SMAFNF-1m**

Frequency	2 GHz		6 GHz		12 GHz		18 GHz	
	Typ	Max	Typ	Max	Typ	Max	Typ	Max
Insertion Loss	0.34	0.41	0.63	0.75	0.96	1.13	1.23	1.44
VSWR	1.05	1.10	1.15	1.20	1.20	1.25	1.25	1.30