

Flexible Ultra Low Loss Coax Cable Assembly

A50/N Male /TNC Male/DC-8 GHz

Model: A50-NMTNCM-L



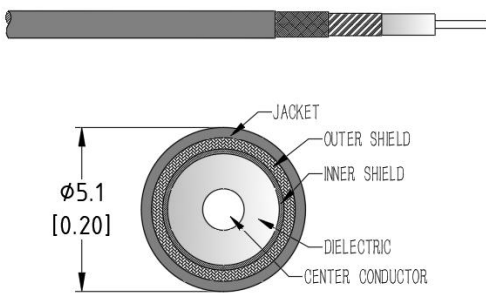
Features:

- Max Frequency 8 GHz
- VSWR max of 1.25
- Velocity of Propagation of 83%

Applications:

- Test & Measurement equipment
- Manufacturing lab
- WAN system equipment

Cable Cross Section:



Electrical Characteristics:

Parameter	Min	Typ	Max	Units
Frequency Range	DC		8	GHz
VSWR		1.2	1.25	:1
Velocity of propagation		83%		
Shielding Effectiveness	90			dB
Capacitance			80	pF/m
Phase Stability Vs. Flexure@8GHz		±1		°
Amplitude Stability Vs. Flexure@8GHz		±0.02		dB
Phase Stability Vs. Temperature			550	PPM

Environmental And Physical Characteristics:

Description	Parameter	Units
Cable Diameter	5.1	mm
Cable Jacket	FEP	
Min. Bending Radius	26	mm
Typical Flex life	50000	
Operating Temperature	-55 to +125	°C
Storage Temperature	-55 to +165	°C

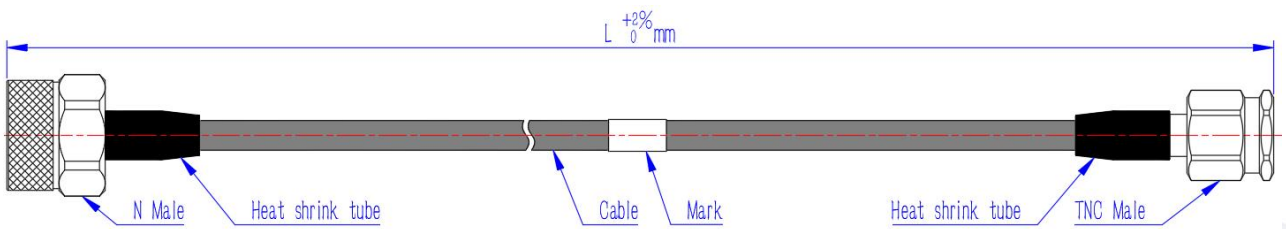
Cable Performance By Frequency:

Frequency	2 GHz	4 GHz	6 GHz	8 GHz
Insertion Loss (dB/m Max)	0.33	0.47	0.57	0.67
RF Power CW (W Max.)	615	431	350	302

Connectors:

Description	Connector 1	Connector 2
Type	N Straight Male	TNC Straight Male
Contact Material And Plating	Brass,Gold	Brass,Gold
Dielectric Type	PTFE	PTFE
Body Material And Plating	Passivated Stainless Steel	Passivated Stainless Steel
Insertion Loss (dB Max)	$0.05 * \sqrt{f_GHz}$	$0.05 * \sqrt{f_GHz}$

Outline Drawing:



Ordering Information:

Base Number	Lenth	Armour (optional)	Phase/delay Matched (optional)
A50-NMTNCM	-L	-A(Black nylon woven armor) 	
		-AP(PUR water proof armor) 	-XXPS($\leq \pm XX$ PS)
		-AS(Stainless steel armor) 	-XX°($\pm XX$ °)
		-AT(Transparent armor) 	

Typical Performance Data:

Model:A50-NMTNCM-1m

Frequency	2 GHz		4 GHz		6 GHz		8 GHz	
	Typ	Max	Typ	Max	Typ	Max	Typ	Max
Insertion Loss	0.40	0.47	0.57	0.67	0.70	0.82	0.81	0.95
VSWR	1.05	1.1	1.1	1.15	1.15	1.2	1.2	1.25