

**Part No: TLBF-5G-6G-E2**

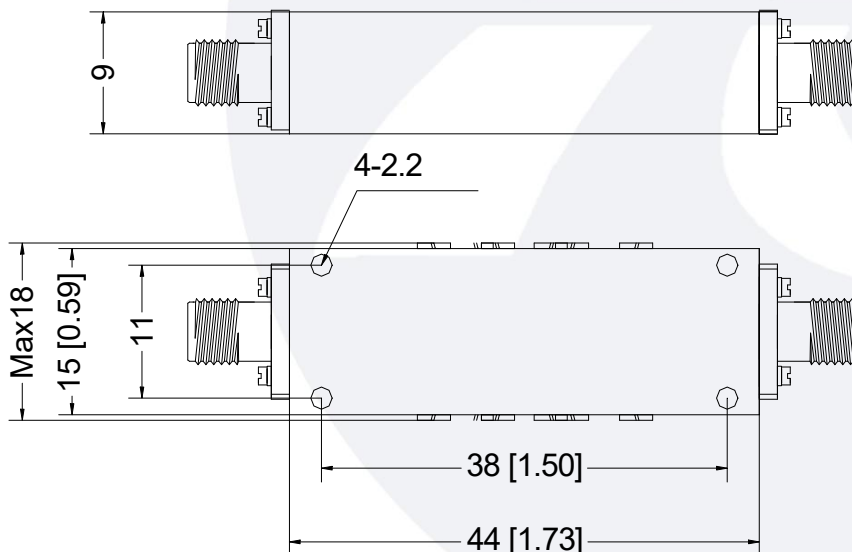
**Band Pass Filters**

**电气特性 ELECTRICAL:**

Parameter	Min.	Typ.	Max.	Units
Frequency range	5		6	GHz
Band Width			1	GHz
Insertion Loss			1.8	dB
Pass band Ripple			1.6	dB
VSWR			1.6	M v
Rejection	>40dB@Fc±500Mhz			
Power Handling			50	Watts
Operating Temperature	-40		+70	°C
Impedance	50			Ohms
Input / Output Connector	SMA-Female			

**外形尺寸Outline Drawing:**

Unit: mm



典型曲线 Typical Performance Date:



1 of 1 (Max)

Trc1 **S11** SWR 200 mU/ Ref 1 U Cal  
Trc2 **S21** dB Mag 10 dB / Ref 0 dB Cal  
Trc3 **S12** dB Mag 10 dB / Ref 0 dB Cal  
Trc4 **S22** SWR 200 mU/ Ref 1 U Cal

