

**Part No.: TC-60500-10-2.4**

**10dB Directional Coupler 2.4mm- Female 50Ω 6-50GHz**

**电气特性 Electrical:**

工作频率 Frequency Range: 6-50GHz  
 耦合度 Coupling: 10±1.0dB  
 插入损耗 Insertion Loss: ≤1.8dB  
 驻波 VSWR: ≤1.9:1  
 方向性 Directivity: ≥10dB  
 耐功率 Power Handling: 20Watt  
 阻抗 Impedance: 50Ω

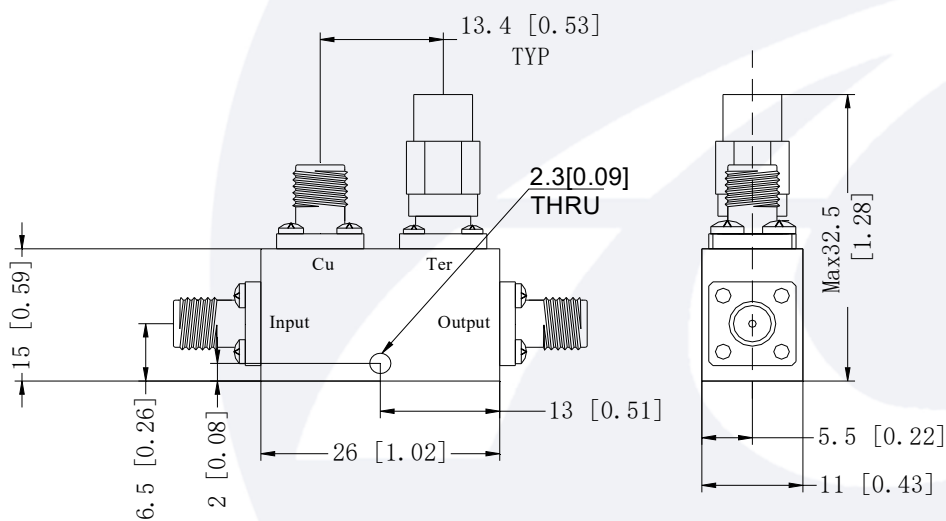


**机械特性 Mechanical:**

温度范围 Temperature Range: -40° C - +80° C  
 接口 Connectors: 2.4mm-Female  
 相对湿度 Relative Humidity: 0 ~ 90%

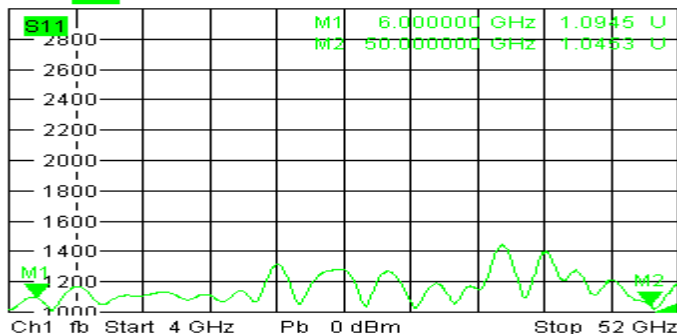
**外形尺寸 Outline Drawing:**

Unit: mm

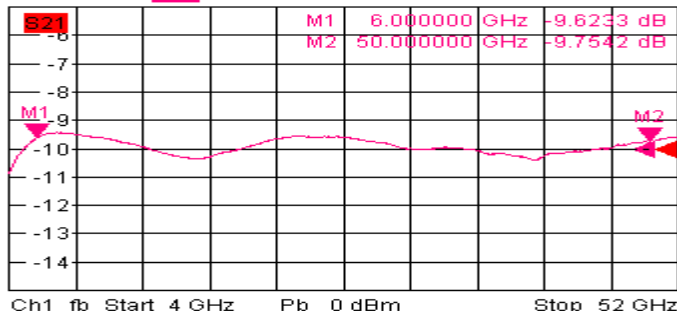




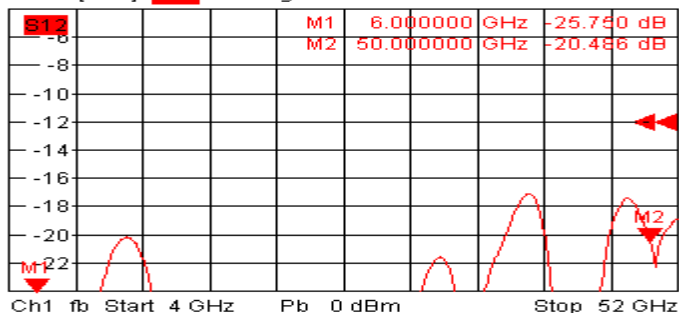
Trc1 **S11** SWR 200 mU/ Ref1 U Cal 1



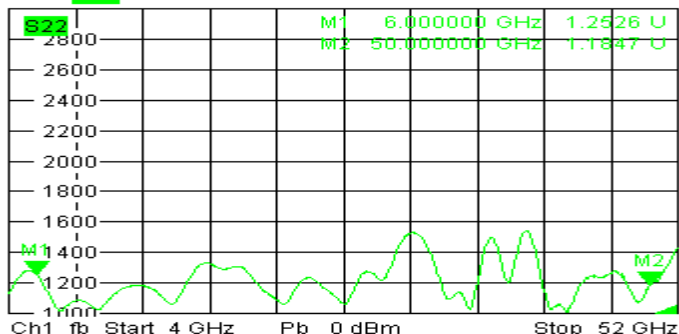
Trc3 **S21** dB Mag 1 dB / Ref-10 dB Invisible 3  
Mem6[Trc3] **S21** dB Mag 1 dB / Ref-10 dB



Trc2 **S12** dB Mag 2 dB / Ref-12 dB Cal Math 2  
Mem5[Trc2] **S12** dB Mag 2 dB / Ref-12 dB Invisible



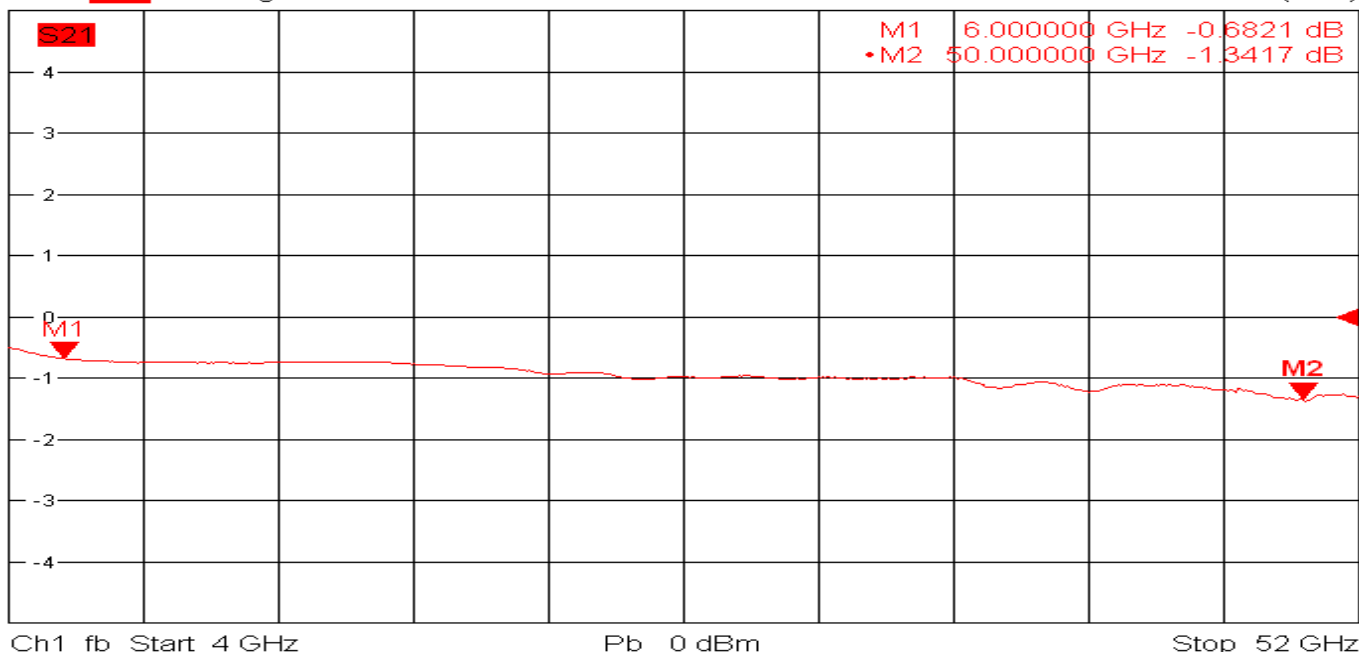
Trc4 **S22** SWR 200 mU/ Ref1 U Cal 4



12/25/2019, 7:17 AM



Trc3 **S21** dB Mag 1 dB / Ref 0 dB Cal 3 (Max)



12/25/2019, 7:34 AM