

Model: TLHM-110170-0230-06
Sub-Harmonic Mixer
RF:110-170 GHz,LO:55-85GHz,IF:DC-30 GHz
Feature:

- Low LO Power Requirement
- Subharmonic Mixing
- Compact Package

电气特性 Electrical Specifications:

参数Parameter	Min	Typ	Max	单位Units
RF频率 RF Frequency	110		170	GHz
LO频率 LO Frequency	55		85	GHz
IF频率 IF Frequency	DC		30	GHz
LO 驱动功率 LO-Input power		10		dBm
射频输入驻波 RF Input VSWR		3		:1
单边带变频损耗 SSB Conversion Loss		-10		dB

机械特性 Mechanical Specifications:

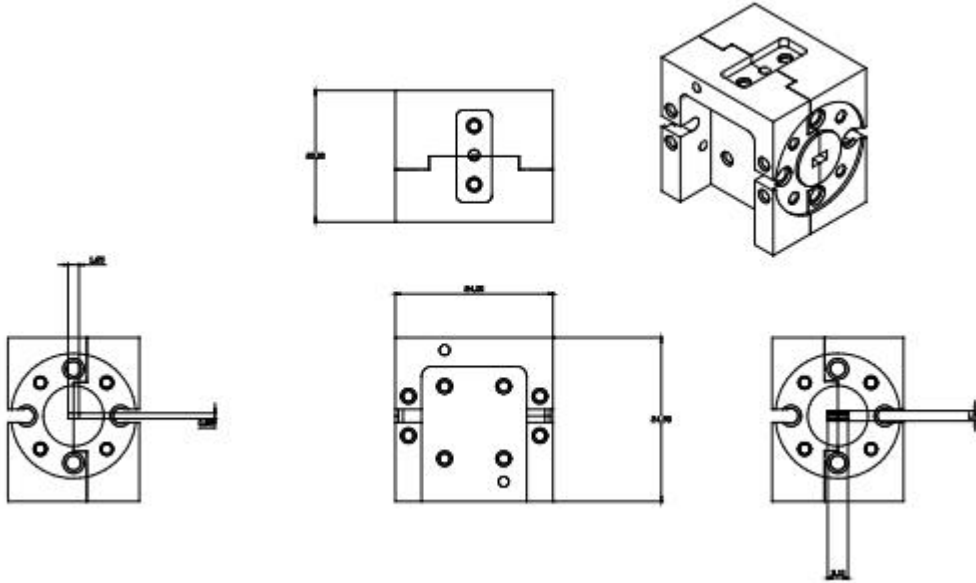
参数Parameter	指标 Value	单位Units
RF 接口RF Connector	WR-06/UG-387	
LO 接口LO Connector	WR-12/UG-387	
IF 接口 IF Connector	2.92mm Female	
尺寸 Size	24*24.9*20	mm

绝对最大值 Absolute Maximum Ratings:

参数Parameter	指标 Value
RF 功率 RF Input Power	0dBm
ESD灵敏度 ESD sensitivity (HBm)	Class 0, passed 150V

外形尺寸 Outline Drawing:

Unit: mm



OBSERVE PRECAUTIONS
ELECTROSTATIC SENSITIVE
DEVICES

温度环境 Environmental Conditions:

参数Parameter	Min	Typ	Max	单位Units
操作温度 Operating Temperature	0		+40	°C
存储温度 Non-operating Temperature	-25		+65	°C
相对湿度 Relative humidity		95		%
海拔 Altitude	50,000			feet
震动 Shock / Vibration(MIL-STD-810F)	25g rms (15 degree 2KHz) endurance, 1 hour per axis			
冲击 Shock(non operating)	20G for 11msc half sin wave,3 axis both directions			

订货信息 Ordering Information:

标准型号 Part Number	描述 Description	版本号Revision
TLHM-110170-0230-06	Subharmonically Mixer RF:110-170GHz,LO:55-85GHz,IF:DC-30GHz	Rev.1.1