

型号 Part No : TT25-6-N

DC-6GHz,25W,N Female/Male Coaxial Fixed Terminations

电气特性 Electrical Specifications:

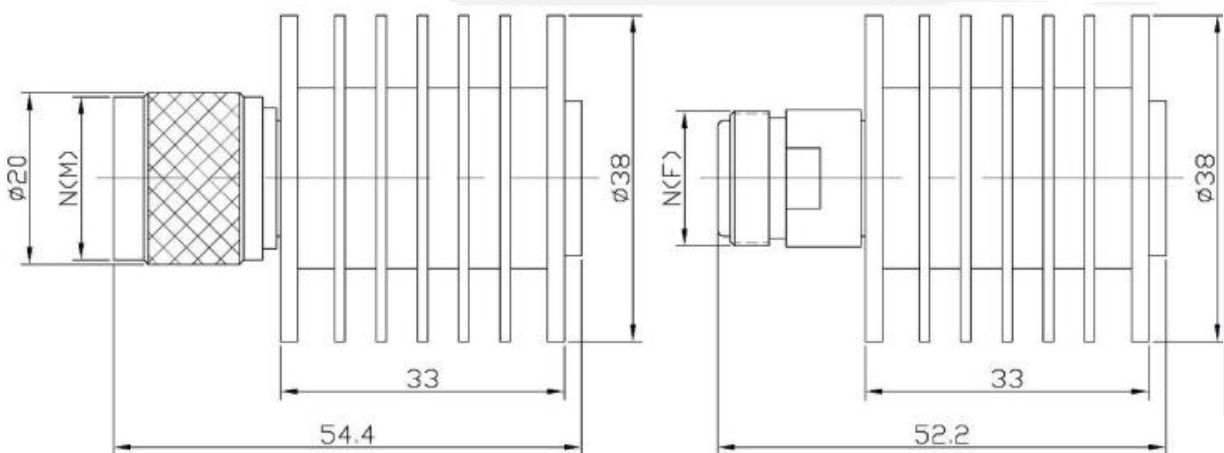
工作频率 Frequency Range: DC-6 GHz
 驻波 VSWR: DC-3GHz, ≤1.15 @Max
 DC-4GHz, ≤1.20 @Max
 DC-6GHz, ≤1.25 @Max
 耐功率 RF Power Handling: ≤25Watts Average at 25°C
 阻抗 Impedance: 50 Ohms

机械特性 Mechanical Specifications:

操作温度 Operation Temperature: -55°C - +100°C
 存储温度 Storage Temperature: -55°C - +100°C
 壳体材质 Body Material: Black, Finned Aluminum
 中心导体 Center Conductor: Gold-plated, Phosphor bronze
 接口 Connectors: N Female/Male, Nickel plated Brass
 重量 Weight: 80g

外形尺寸 Outline Drawing:

Unit: mm



订货信息 Ordering Information:

标准型号 Part Number	描述 Description
TT25-6-N	DC-6GHz,25W,N Female/Male Coaxial Fixed Termination

典型曲线 Typical Performance Data:

Input VSWR vs Frequency

