

**型号 Part No : TT20-40-K2**

DC-40GHz,20W,2.92mm Male Coaxial Fixed Terminations

**电气特性 Electrical Specifications:**

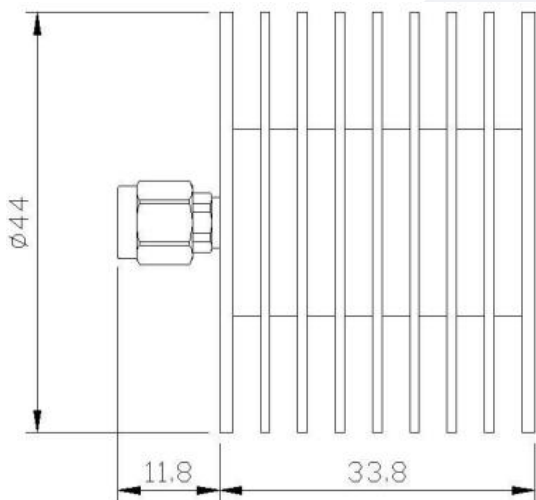
工作频率 Frequency Range: DC-40GHz  
驻波 VSWR:  $\leq 1.3$   
耐功率 RF Power Handling:  $\leq 20$ Watts average at 25°C  
峰值功率 Peak Power:  $\leq 200$ W  
阻抗 Impedance: 50 Ohms

**机械特性 Mechanical Specifications:**

操作温度 Operation Temperature: -55°C - +125°C  
存储温度 Storage Temperature: -55°C - +125°C  
壳体 Body Material: Black, Finned Aluminum  
中心导体 Center Conductor: BeCu, Golden  
接口 Connectors: 2.92mm Male  
相对湿度 Relative Humidity: 90%

**外形尺寸 Outline Drawing:**

Unit: mm



**订货信息 Ordering Information:**

| 标准型号 Part Number | 描述 Description                                     |
|------------------|--|
| TT20-40-K2       | DC-40GHz,20W,2.92mm Male Coaxial Fixed Termination |