

型号 Part No : TT2-26.5-S

DC-26.5GHz,2W,SMA Male Coaxial Fixed Terminations

电气特性 Electrical Specifications:

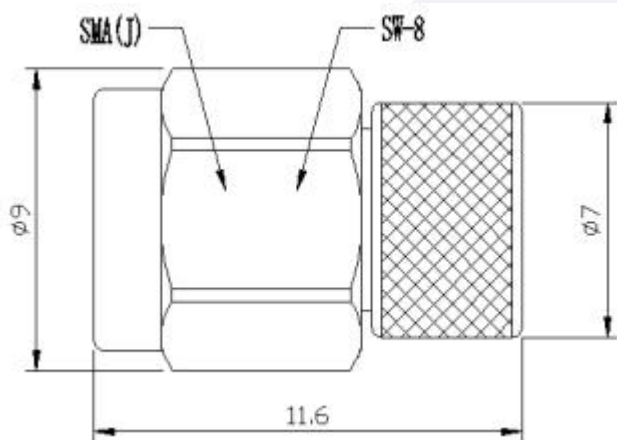
工作频率 Frequency Range:	DC-26.5 GHz
驻波 VSWR:	≤1.25 @Max
耐功率 RF Power Handling:	≤2Watts
阻抗 Impedance:	50 Ohms

机械特性 Mechanical Specifications:

操作温度 Operation Temperature:	-55°C - +125°C
存储温度 Storage Temperature:	-55°C - +125°C
壳体 Body Material:	Stainless Steel Passivation
接口 Connectors:	SMA Male
中心导体 Center Conductor:	Gold-plated brass
相对湿度 Relative Humidity:	≤90%

外形尺寸 Outline Drawing:

Unit: mm



订货信息 Ordering Information:

标准型号 Part Number	描述 Description
TT2-26.5-S	DC-26.5GHz,2W,SMA Male Coaxial Fixed Termination