

**型号 Part No : TT2-18-N-S**

DC-18GHz,2W,N Male Coaxial Fixed Terminations

**电气特性 Electrical Specifications:**

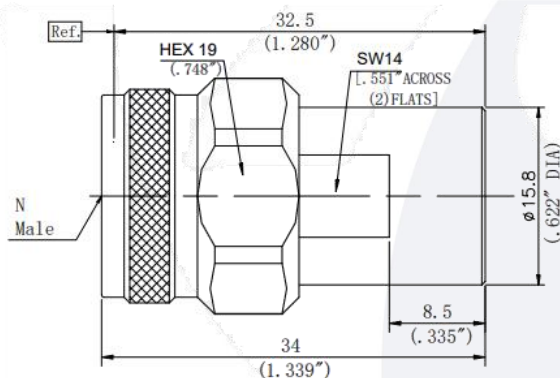
工作频率 Frequency Range:	DC-18 GHz
驻波 VSWR:	≤1.15 @Max
耐功率 RF Power Handing:	≤2Watts
阻抗 Impedance:	50 Ohms

**机械特性 Mechanical Specifications:**

操作温度 Operation Temperature:	-55°C - +125°C
存储温度 Stroage Temperature:	-55°C - +125°C
壳体 Body Material:	Stainless Steel 303
接口 Connectors:	N Male
中心导体 Center Conductor:	Becu,Golden
相对湿度 Relative Humidity:	≤90%

**外形尺寸 Outline Drawing:**

Unit: mm



**订货信息 Ordering Information:**

标准型号 Part Number	描述 Description
TT2-18-N-S	DC-18GHz,2W,N Male Coaxial Fixed Termination

典型曲线 Typical Performance Data:

Input VSWR vs Frequency

