

型号 Part No : TT1-50-2.4-S-F

DC-50GHz,1W,2.4mm FeMale Coaxial Fixed Terminations

电气特性 Electrical Specifications:

工作频率 Frequency Range: DC-50GHz
驻波 VSWR: ≤1.3
耐功率 RF Power Handing: ≤1Watts
阻抗 Impedance: 50 Ohms

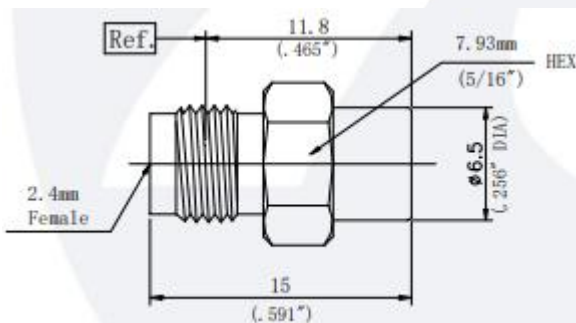


机械特性 Mechanical Specifications:

操作温度 Operation Temperature: -55°C - +125°C
存储温度 Storage Temperature: -55°C - +125°C
壳体 Body Material: Stainless Steel 303
中心导体 Center Conductor: Becu, Golden
接口 Connectors: 2.4mm FeMale
相对湿度 Relative Humidity: 90%

外形尺寸 Outline Drawing:

Unit: mm



订货信息 Ordering Information:

标准型号 Part Number	描述 Description
TT1-50-2.4-S-F	DC-50GHz,1W,2.4mm FeMale Coaxial Fixed Termination