

型号 Part No : RT5-12.4-N

DC-12.4GHz,5W,N Male Coaxial Fixed Terminations

电气特性 Electrical Specifications:

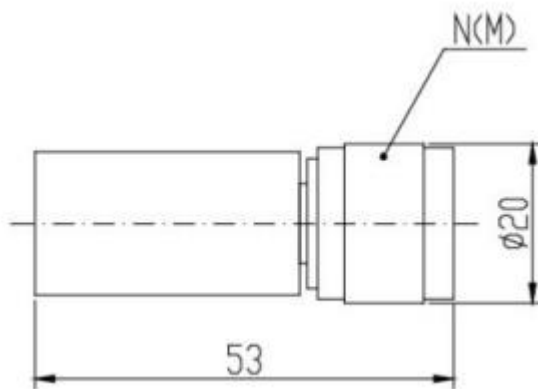
工作频率 Frequency Range: DC-12.4GHz
驻波 VSWR: ≤ 1.25 @Max
耐功率 RF Power Handling: ≤ 5 Watts
阻抗 Impedance: 50 Ohms

机械特性 Mechanical Specifications:

操作温度 Operation Temperature: $-55^{\circ}\text{C} - +125^{\circ}\text{C}$
存储温度 Storage Temperature: $-55^{\circ}\text{C} - +125^{\circ}\text{C}$
壳体 Body Material: Nickel plated Brass
中心导体 Center Conductor: Male:Brass, Golden
接口 Connectors: N Male
相对湿度 Relative Humidity: $\leq 90\%$

外形尺寸 Outline Drawing:

Unit: mm



订货信息 Ordering Information:

标准型号 Part Number	描述 Description
RT5-12.4-N	DC-12.4GHz,5W,N Male Coaxial Fixed Termination