

Model: TLLA33G35G-36-40-WR28-L
Low Noise Amplifier
33-35GHz, NF:2.0dB, Gain:36dB, P1dB:13dBm
Feature:

- Ultra Wide Band: 33-35GHz
- Gain: 36dB Typ
- Noise Figure: 2.0dB Typ
- Good Power and Gain Flatness
- 50 Ohm Matched Input / Output

电气特性 Electrical Specifications:

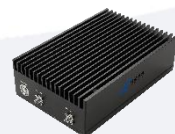
| 参数 Parameter | Min | Typ | Max | 单位 Units |
|------------------------|----------------|-----|-----|----------|
| 频率范围 Frequency range | 33-35 | | | GHz |
| 增益 Gain | | 36 | | dB |
| 增益平坦度 Gain Flatness | ±0.5@Band=1GHz | | | dB |
| 噪声系数 Noise Figure | | 2 | | dB |
| 线性输出功率 Output P1dB | 12 | 13 | | dBm |
| 饱和输出功率 Output Psat | | 14 | | dBm |
| 输入驻波 Input VSWR | | 2 | | :1 |
| 输出驻波 Output VSWR | | 2 | | :1 |
| 直流电压 DC Voltage | | 5 | 8 | V DC |
| 直流电流 DC Supply Current | | 85 | | mA |
| 阻抗 Impedance | 50 | | | Ohms |

机械特性 Mechanical Specifications:

| 参数 Parameter | 指标 Value | 单位 Units |
|---------------------------------|-----------------------------|----------|
| 输入/输出接口 Input /Output Connector | WR-28 UG-599U/2.92mm Female | |
| 直流偏置 DC Bias | Solder Pin | |
| 尺寸 Size | 30*30*19 | mm |
| 重量 Weight | / | g |

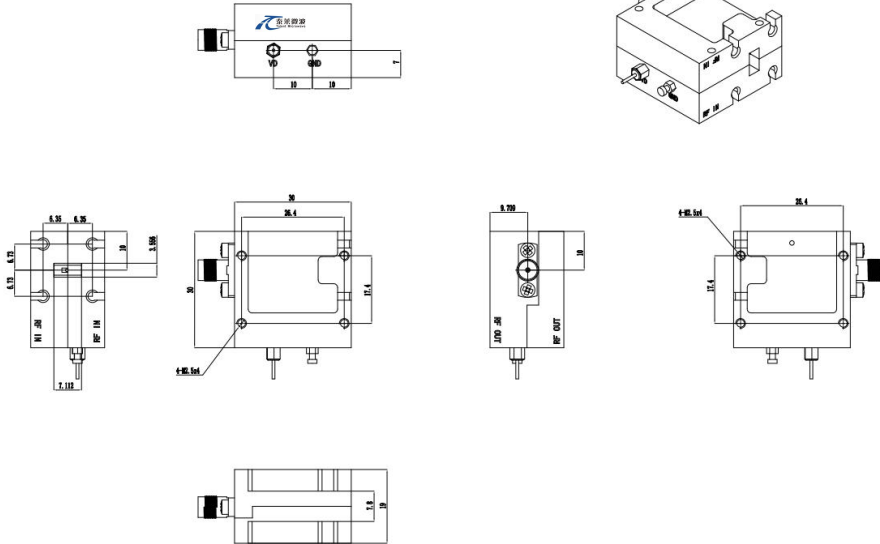
绝对最大值 Absolute Maximum Ratings:

| 参数 Parameter | 指标 Value |
|------------------------------|----------------------|
| 供电偏置电压 Supply Bias Voltage | TBD |
| 输入功率 RF Input Power | 20 dBm |
| ESD灵敏度 ESD sensitivity (HBm) | Class 0, passed 150V |


**Available 220V System
Benchtop Amplifier**

外形尺寸 Outline Drawing:

Unit: mm



*****Heat Sink Required During Operation**



OBSERVE PRECAUTIONS
ELECTROSTATIC SENSITIVE
DEVICES

温度环境 Environmental Conditions:

| 参数 Parameter | Min | Typ | Max | 单位 Units |
|------------------------------------|---|-----|------|----------|
| 操作温度 Operating Temperature | -45 | | +85 | °C |
| 存储温度 Non-operating Temperature | -55 | | +125 | °C |
| 相对湿度 Relative humidity | | 95 | | % |
| 海拔 Altitude | 50,000 | | | feet |
| 震动 Shock / Vibration(MIL-STD-810F) | 25g rms (15 degree 2KHz) endurance, 1 hour per axis | | | |
| 冲击 Shock(non operating) | 20G for 11msc half sin wave,3 axis both directions | | | |

订货信息 Ordering Information:

| 标准型号 Part Number | 描述 Description | 版本号 Revision |
|-------------------------|---|--------------|
| TLLA33G35G-36-40-WR28-L | Low Noise Amplifier, 33-35GHz, Noise Figure:2.0dB, Gain:36 dB,P1dB:13dBm,+5V DC | Rev.1.1 |