

## SPDT Coaxial Switches

R12-SF12T18-D, Coaxial Switches, SPDT, SMA, Failsafe, 12VDC, TTL, DC to 18 GHz, DSUB-9

R12-SF24T18-D, Coaxial Switches, SPDT, SMA, Failsafe, 24VDC, TTL, DC to 18 GHz, DSUB-9

R12-SF28T18-D, Coaxial Switches, SPDT, SMA, Failsafe, 28VDC, TTL, DC to 18 GHz, DSUB-9

### 电气参数 Electrical Characteristics:

参数Parameter	条件Condition
频率范围 Frequency range	DC-18GHz
阻抗 Impedance	50 Ω
开关模式 Operation mode	Failsafe
开关顺序 Switch sequence	Break before make
切换时间 Switching time	15 ms max
机械寿命 Mechanical life	5 million min
TTL input	0-0.8 V(OFF), 2.4-5 V(ON)
额定电压 Rated voltage	12 24 28 VDC
工作电流 Operating current at 23 °C	190 98 83 mA



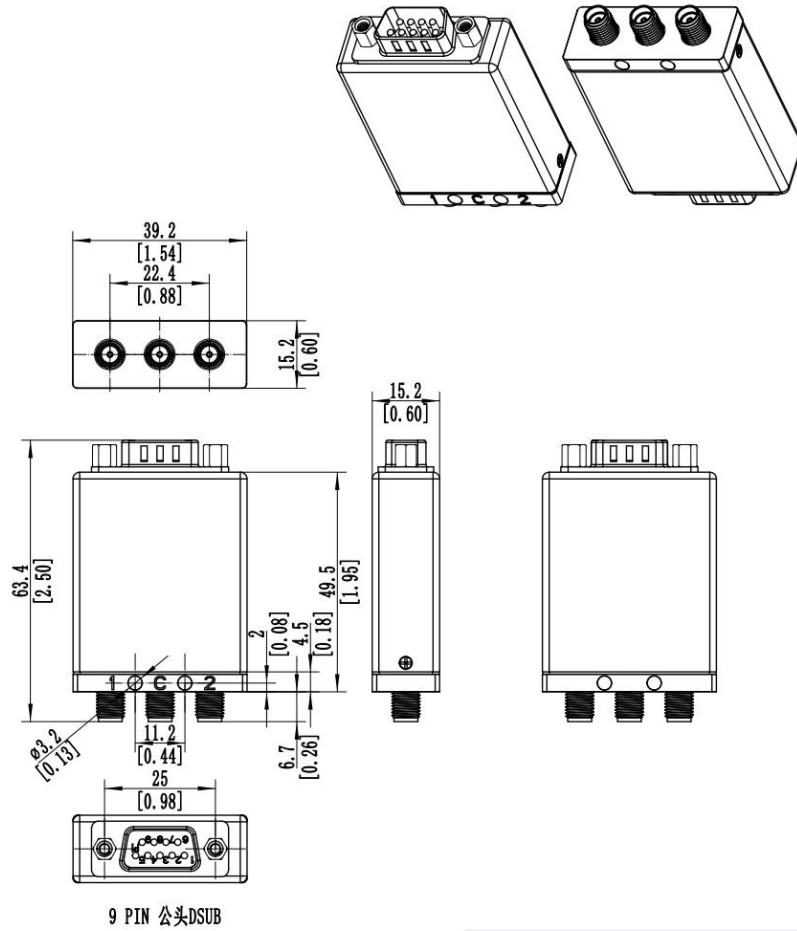
### 射频特性 RF Specifications:

频率范围 FREQUENCY RANGE(GHz)	DC-6	6-12	12-18
插入损耗 INSERTION LOSS (MAX) dB	0.2	0.25	0.4
隔离度 ISOLATION (MIN) dB	70	70	60
电压驻波比 V.S.W.R. (MAX)	1.2:1	1.3:1	1.4:1

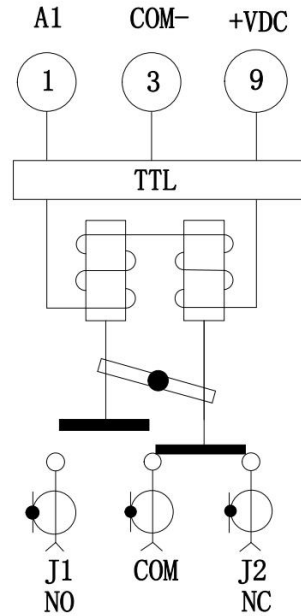
### 环境和物理特性 Environmental And Physical Characteristics:

参数Parameter	条件 Condition
工作温度范围 Operating temperature range	-25°C to +65°C(Standard ) -55°C to +85°C(Optional)
振动 Sine vibration(Operating)	20-2000Hz, 10g
冲击 Shocks(Non Operating)	50g / 12ms, ½ sine
射频接口 RF Connector type	SMA Female
控制接口 Control connector	D-SUB 9Pin Male
重量 Weight	70g Max

**外形尺寸 Outline Drawing:** Unit: mm



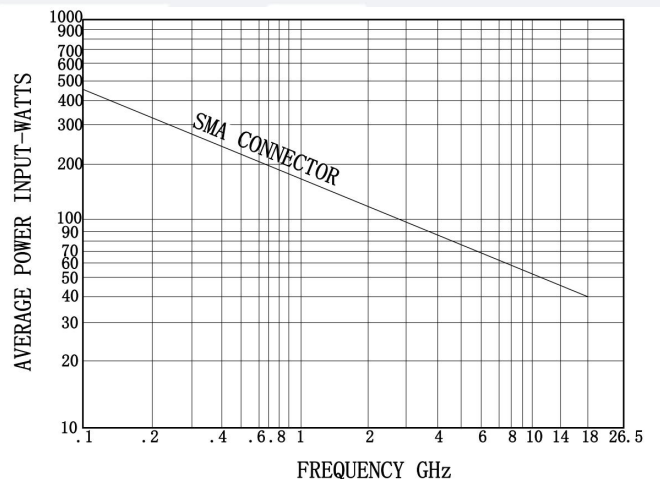
**原理图 Schematic:**



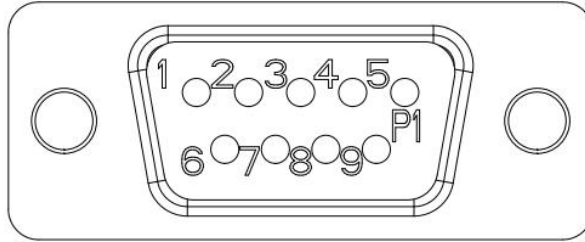
**功率曲线图 Average power:**

This graph is based on the following conditions:

- Ambient temperature: + 25 °C
- Sea level
- V.S.W.R.: 1 and cold switching



### 针脚定义 Pin Definition:



9 PIN D-SUB		RF Connect Used
Pin NO.	Function	SPDT
1	A1 (TTL IN)	NO:J1-COM
	0	NC:J2-COM
2	UNUSED	
3	COM-	
9	+VDC	
4-8	UNUSED	

### 标准型号 Part Number:

标准型号 Part Number	额定电压 Rated Voltage	可选项 Option
SPDT		
R12-SF12T18-D	12VDC	-S
R12-SF24T18-D	24VDC	例如:R12-SF12T18-DS
R12-SF28T18-D	28VDC	(备注, S型号满足IP65)

**典型曲线 Typical Performance Data:**

