

## Model: TL-CRYOSELF24

## Cryogenic Silver-Epoxy Microwave Filters 24 filters inside

### Feature:

- 24 filters inside
- Micro-D connectors
- Non-magnetic copper box, gold-plated for best thermal contact
- Easy to mount at 10 mK

### 电气特性 Electrical:

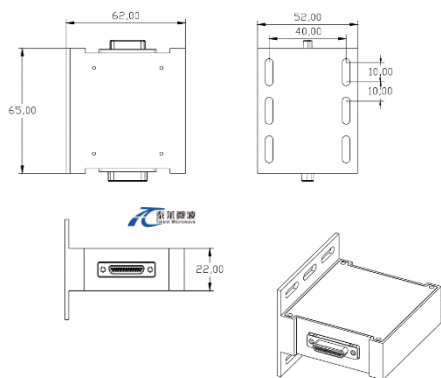
参数Parameter	Min.	Typ.	Max.	单位Units
阻值 In-line Resistance@T=300 K		3.5		Ω
带内回损 Passband Return loss		-20		dB
衰减 Attenuation	@2MHz	3		dB
	@500MHz	90		dB
	@700MHz	100		dB
电压 Voltage			100	V

### 机械特性 Mechanical :

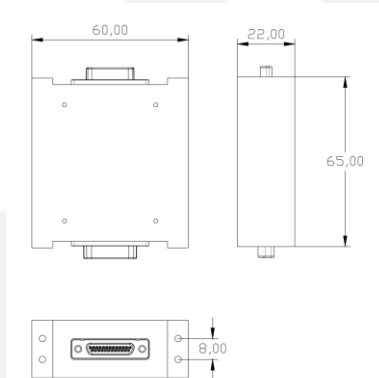
参数Parameter	指标 Value	单位Units
输入输出接口Input /Output Connector	Micro-D Connector Male/ Female	
外壳材质 Case Material	OFHC Copper	
表面 Finish	Gold Plated	mm
重量 Weight	/	g

### 外形尺寸Outline Drawing:

Unit: mm



TL-CRYOSELF24-001



TL-CRYOSELF24-002

### 温度环境 Environmental Conditions:

参数Parameter	Min.	Typ.	Max.	单位Units
操作温度 Operating Temperature	10mK		+85	°C
存储温度 Non-operating Temperature	-55		+125	°C
相对湿度 Relative humidity	100% RH at 35c, 95%RH at 40°C			%
海拔 Altitude	50,000			feet
震动 Shock / Vibration(MIL-STD-810F)	25g rms (15 degree 2KHz) endurance, 1 hour per axis			
冲击 Shock(non operating)	20G for 11msc half sin wave,3 axis both directions			

### 订货信息 Ordering Information:

标准型号 Part Number	描述 Description	版本号Revision
TL-CRYOSELF24-001	Cryogenic Silver-Epoxy Microwave Filters 24 filters inside Standard mounting bracket	Rev.1.1
TL-CRYOSELF24-002	Cryogenic Silver-Epoxy Microwave Filters 24 filters inside Custom mounting bracket	Rev.1.1

### 典型曲线 Typical Performance Data:

Attenuation@room-temperature

